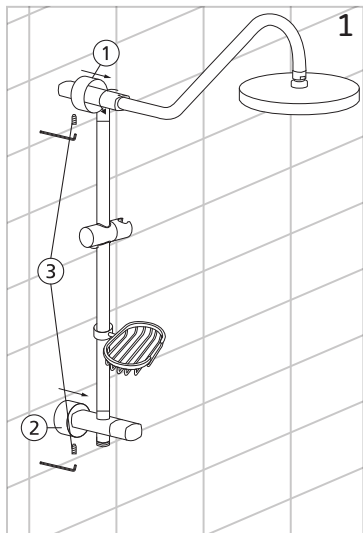
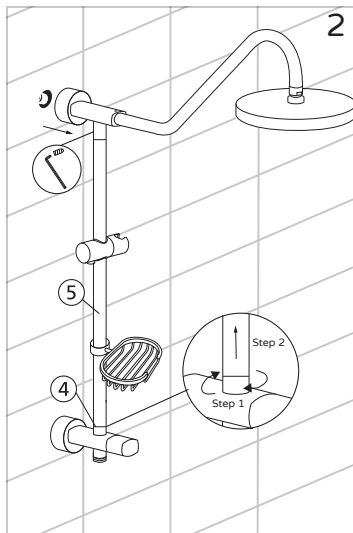


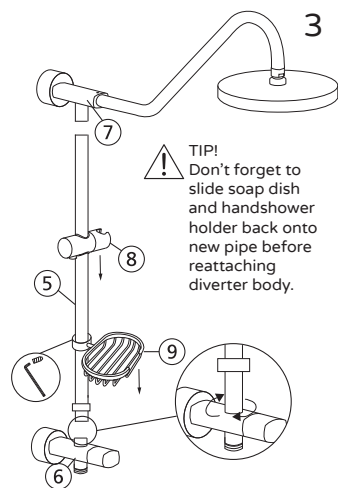
SHOWER PIPE REPLACEMENT IN 3 EASY STEPS



With soapy water pull top (1) and bottom (2) escutcheons away from wall. Loosen set screws (3) with 2.5mm allen wrench. Remove unit from wall.



Loosen retaining nut (4) and slide it along the vertical pipe (5) with tapered washer. Unscrew set screw from Top T (7) and remove. Pull shower pipe off Top T (7).



! TIP!
Don't forget to slide soap dish and handshower holder back onto new pipe before reattaching diverter body.

Thread vertical pipe (5) off of diverter body (6) and remove retaining nut, tapered washer, soap dish, and handshower holder. Slide all onto new vertical pipe. Secure pipe to Top T (7) and diverter body (6). PLEASE NOTE: Make sure vertical pipe (5) and Top T (7) fit snug together.