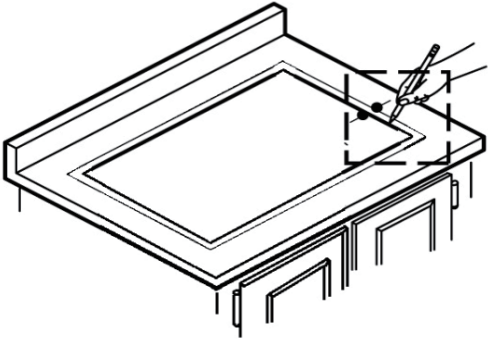
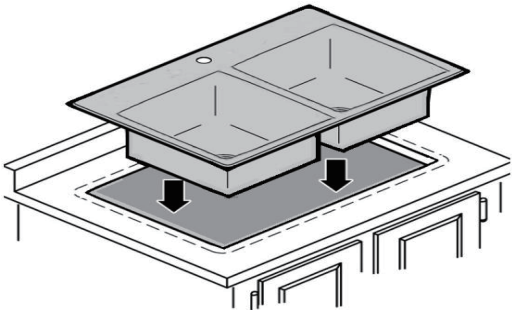
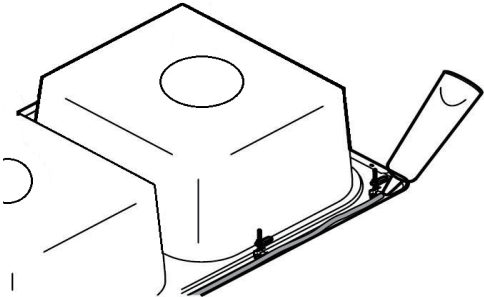
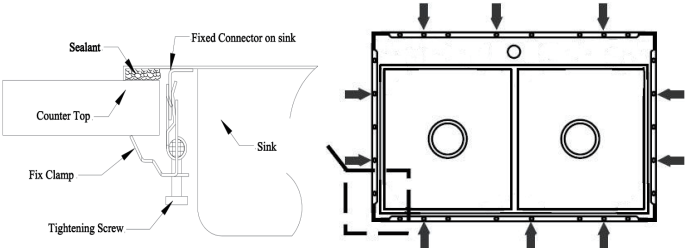


297 Anna St. | Watsonville, CA 95076
831.724.7300
www.SantaCruzSinks.com

Read before installing

- Due to the nature of top-mount installations, we recommend that top-mount sink installations be performed by trained and experienced installers.
- Sink edge may be sharp; handle with caution
- Inspect sink surface with a soft towel to prevent scratch on product
- This template is only a guide. Actual sink should be present to ensure perfect cut out.

<p>1</p>  <ul style="list-style-type: none"> - Use the provided cut out sheet to carefully measure and cut the countertop for the top-mounted sink. - Please ensure all measurements are accurate and precise before cutting or drilling. 	<p>2</p>  <ul style="list-style-type: none"> - With the opening now complete, drop the sink in the space created. - Check for any issue with the fit and alignment - Make any necessary adjustments. Ensure the sink is level with the countertop.
<p>3</p>  <p>Apply a bead of silicone sealant to the edge of the sink</p>	<p>4</p>  <ul style="list-style-type: none"> - Proceed by lowering the sink in the opening and ensure the silicone sealant meets the edges. - Fix the screws as per illustration. Tighten evenly. - Remove excess sealant and dry for at least 24 hours.

Tools Needed

Tape Measure
Safety Glasses
Saw
Construction Glue

Screwdriver
Gloves
Pencil



For specs and more information visit www.SantaCruzSinks.com