

Santa Cruz Sink

Model # SCS-3320SBA-GMB, SCS-3320SBA-SSB

Specification Sheet

TECHNICAL INFORMATION

- Installation: Undermount (Apron)
- Color: Gun Metal Black (GMB) or Brushed Stainless Steel (SSB)
- Drain Location: Middle Top

PRODUCT FEATURES

- Undermount installation creates a beautiful and seamless look
- Drain, protective stainless steel bottom grid and acacia cutting board attachments included
- Deep bowl offers superior functionality for busy households
- Made of durable, corrosion-resistant 16-gauge stainless steel, built to withstand heavy and daily use
- Brushed finish for easy cleaning and maintenance
- Mounting template included to assist with installation

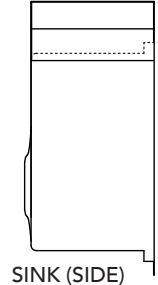
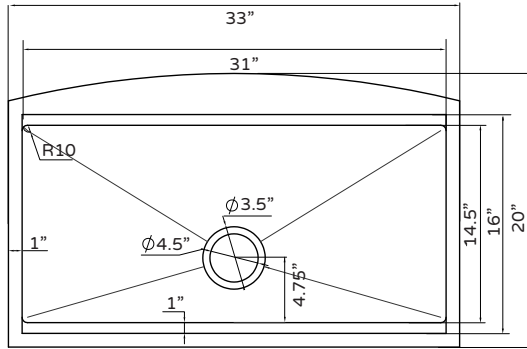
NOTES

- Measure your actual product for rough-in details
- Install this product according to the installation instructions
- Due to the natural characteristics of acacia wood, each cutting board will vary in grain, color, and appearance. Images shown are for illustrative purposes only.

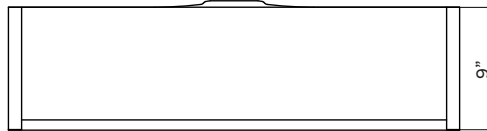
WARRANTY

- Lifetime Limited Warranty

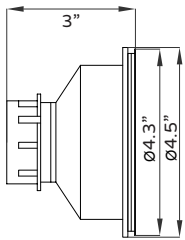
SINK (TOP)



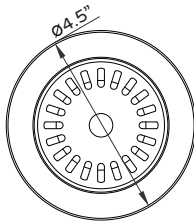
SINK (FRONT)



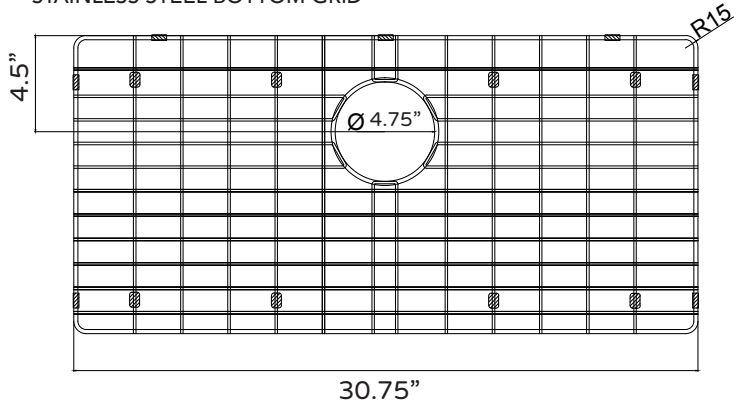
DRAIN (SIDE)



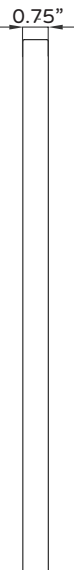
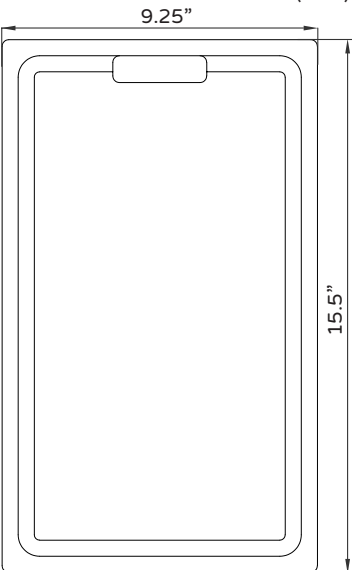
DRAIN (TOP)



STAINLESS STEEL BOTTOM GRID



WOODEN CUTTING BOARD (TOP)



WOODEN CUTTING BOARD (SIDE)