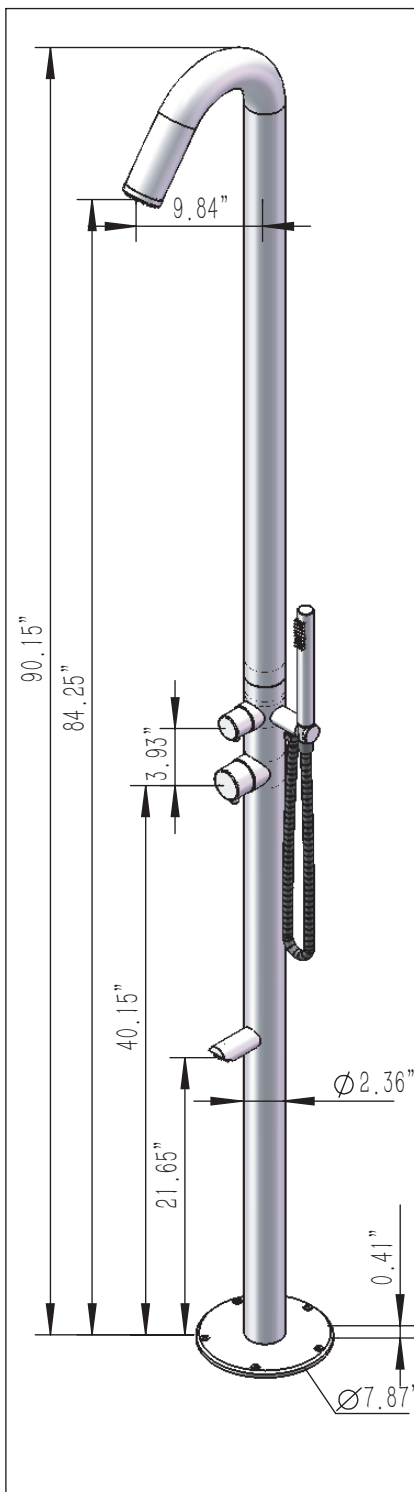




WAVE Outdoor Shower

Model # 1055-SSB

297 Anna St. | Watsonville, CA 95076
Toll Free: 888.785.7320
www.PulseShowerSpas.com



GENERAL DESCRIPTION

The free standing Wave Outdoor Shower System is ideal for your outdoor living. Easy to install, the Wave will make your backyard a perfect place to enjoy the summer days. The Wave includes an outdoor showerhead, hand shower, foot rinse spout and free standing base. Easily switch between functions via the conveniently located diverter.

PRODUCT FEATURES

- Floor mounted and completely pre-plumbed, easily connect to your outdoor water line
- #304 Stainless Steel Brushed body made to withstand daily outdoor elements
- Easily select between functions via the diverter

SPECIFICATIONS

- 2.5 GPM/9.5 LPM Shower System