



PULSE Alcove Tub

Model # PT-2001L-30 & PT-2001R-30

Specification Sheet

297 Anna St. | Watsonville, CA 95076
831.724.7300
www.PulseShowerSpas.com



TECHNICAL INFORMATION

- Installation: Alcove
- Color: Glossy white acrylic
- Max Weight: 1100 lbs
- Product Weight: 79.3 lbs
- Water Capacity: 46.5 gal
- Tub Soaking Depth: 12.6 inch
- Box Dims: 61"x31"x21"
- Drain Location: Left or Right*

PRODUCT FEATURES

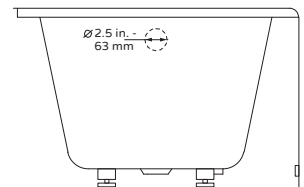
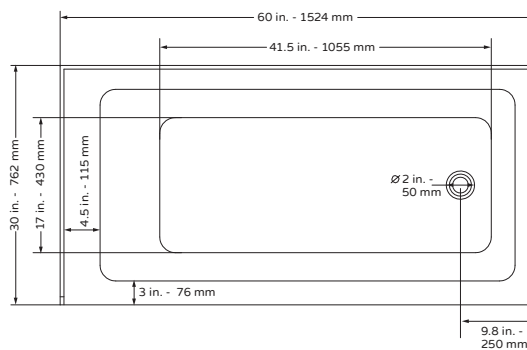
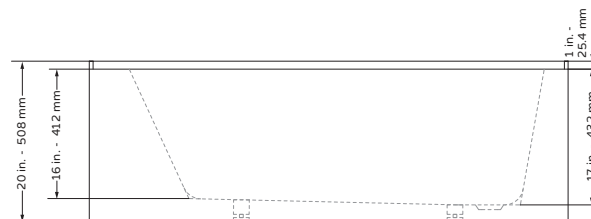
- 100% Lucite pure acrylic sheet
- CPIC fiberglass-alkali free
- Stainless steel bracket
- 5 Supporting feet

NOTES

- Measure your actual product for rough-in details
- Install this product according to the installation instructions

CODE/STANDARDS

- cUPC Approved



*Drain sold separately

