



# PULSE Freestanding Tub

Model # PT-1079-BN & PT-1079-CH

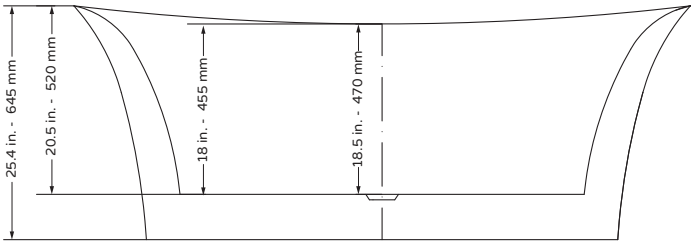
Specification Sheet

297 Anna St. | Watsonville, CA 95076  
 831.724.7300  
 www.PulseShowerSpas.com



**TECHNICAL INFORMATION**

- Installation: Freestanding
- Color: Polished White Acrylic
- Max Weight: 1100 lbs
- Product Weight: 112 lbs
- Water Capacity: 66.1 gal
- Tub Soaking Depth: 15.35 inch
- Box Dims: 69"x33.5"x27.5"
- Drain Location: Center
- Drain Finishes: Brushed Nickel or Chrome

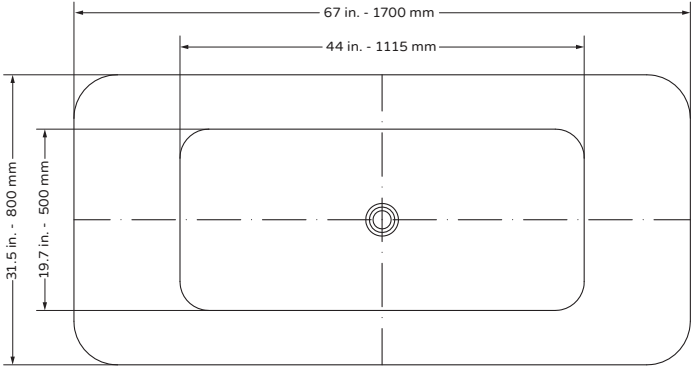


**PRODUCT FEATURES**

- 100% polished white acrylic material
- Bathtub with waste/overflow and brass pop-up drainage
- Waste & drain finishes available in brushed nickel or chrome
- Integral Slotted overflow allows for deep soaking
- Center toe-tap drain

**NOTES**

- Measure your actual product for rough-in details
- Install this product according to the installation instructions
- Allow for 3" (76mm) diameter of clearance around the drain pipe on finished floor material to prevent drain body interference during installation



**CODE/STANDARDS**

- cUPC Approved

**WARRANTY**

- 5 Years

