

LAMESA



La Mesa ShowerSpa Model #7007 Owner's Manual



La Mesa ShowerSpa Model #7007

Please Read The Following Instructions COMPLETELY Before Beginning!

Our goal is to ensure your installation goes smoothly and safely. Please read these instructions carefully and follow recommendations for plumbing and mounting. After reading instructions, if you determine you do not have the necessary skills and/or tools, we recommend that a licensed plumbing contractor complete the installation.

If you encounter any problems during installation
PLEASE VISIT CUSTOMER SUPPORT AT
WWW.PULSESHOWERSPAS.COM
Before returning your ShowerSpa to the store

You Will Need The Following Tools

Soft pencil or felt pen to mark tile

4mm allen wrench

Safety glasses

Tape measure

Level

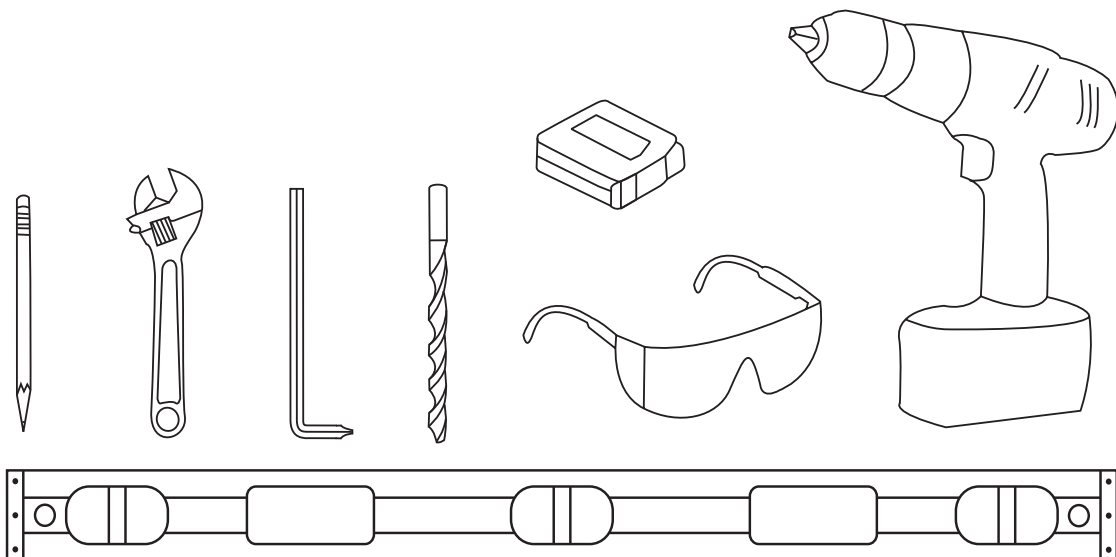
Reciprocating saw w/metal cutting blade (Sawzall®)

Adjustable wrench

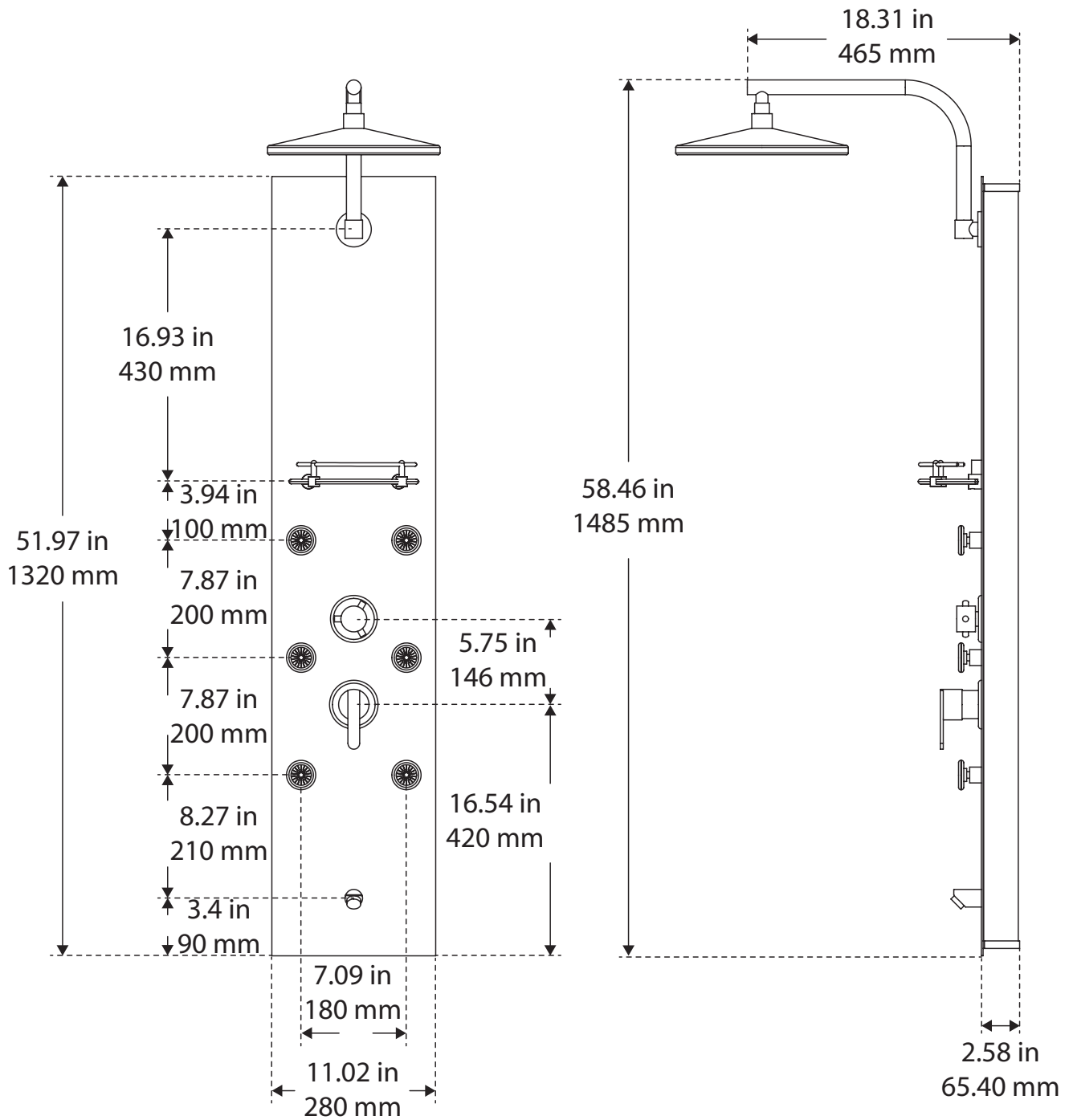
Drill/Driver (Preferably cordless)

¼" Masonry drill bit

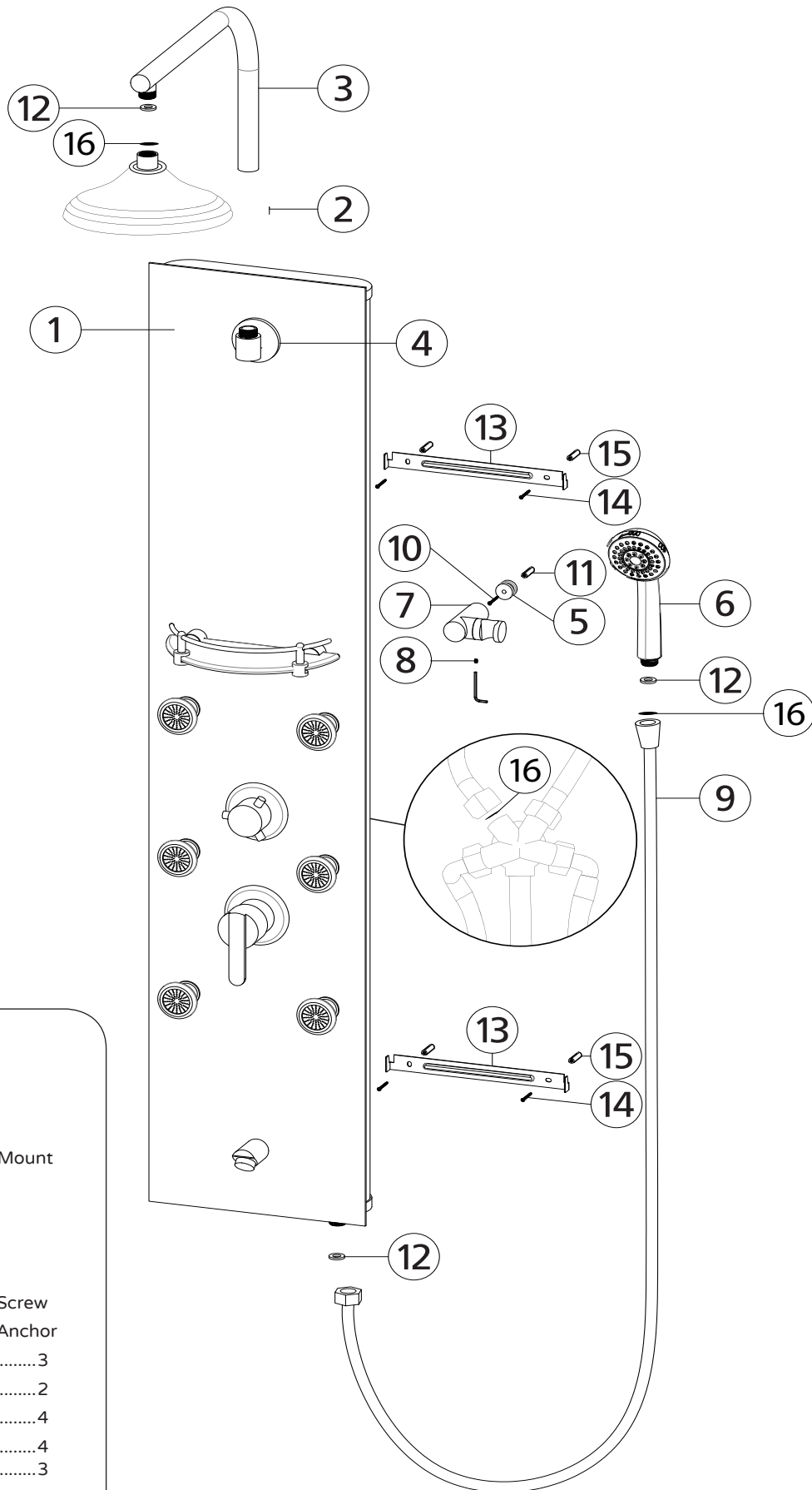
Phillips screwdriver



Product Dimensions



Parts Legend



- 1. ShowerSpa
- 2. Shower Head
- 3. Shower Arm
- 4. Shower Arm Insert
- 5. Hand Shower Holder Mount
- 6. Hand Shower
- 7. Hand Shower Holder
- 8. Set Screw
- 9. Hand Shower Hose
- 10. Hand Shower Mount Screw
- 11. Hand Shower Mount Anchor
- 12. Rubber Washer3
- 13. Wall Mount Bracket.....2
- 14. Wall Mount Screw4
- 15. Wall Mount Anchor4
- 16. 2.5gpm restrictor.....3

Assembly

After unpacking your ShowerSpa, some assembly is required prior to installation.

Shower Arm Assembly

1. Thread shower arm (3) into shower arm insert (4) completely. NOTE: Shower arm should pivot side-to-side.
2. Insert rubber washer (12) in shower head (2) and tighten shower head onto shower arm (3).

Hand Shower Holder Assembly

1. Mark preferred mounting location of hand shower holder (7). Drill $\frac{1}{4}$ " hole into wall surface (CAUTION: LIVE PLUMBING) for hand shower mount anchor (11).
2. Secure hand shower holder mount (5) to wall surface by tightening hand shower mount screw (10) into anchor (11).
3. Slide hand shower holder (7) onto mount (11) and secure with set screw (8).

After ShowerSpa is mounted to the wall

Hand Shower Assembly

1. Insert washer (12) into hexagon shaped end of hand shower hose (9) and attach to threaded outlet on bottom of ShowerSpa (1). Do not over-tighten.
2. Insert washer (12) into tapered end of hand shower hose (9) and attach to hand shower (6). Insert hand shower into holder (7).

Installation – New Construction

Extensive Remodel – New Finished Wall Surface

1. Prior to sheetrock, stub-out $\frac{1}{2}$ " hot and cold supply lines beyond finished wall surface, 4" on center. For best results, attach 90° brass fittings (available at most hardware stores) to the stub-outs maintaining $\frac{1}{4}$ " – $\frac{1}{2}$ " of space between the fitting and finished wall. The open end of the 90° brass fittings should point down so the ShowerSpa's supply lines attach parallel to wall. ¹
2. For a person 5'8" – 6'2" we recommend stub-outs be 40" above finished floor. ²
3. Before installation, make certain water is COMPLETELY TURNED OFF to both hot & cold supply lines of shower.
- 4a. Mark location of holes for top mount, making sure holes are level. For a person 5'8" – 6'2", we recommend placing holes of upper mount at approx. 60" above finished floor. ³
- 4b. To determine location for lower mount measure distance between indents on bottom edge of horizontal mounting bars on back of ShowerSpa (approx. 23 $\frac{1}{8}$ "). Using this distance, measure down from holes in upper mount to obtain location of holes in lower mount making certain mounts are plumb.
- 4c. Use mounts to mark location of holes for each mount.
5. Before drilling holes, make certain that connecting to stub-outs DOES NOT INTERFERE with backside of ShowerSpa and it is flush with finished wall at desired mounting height. ²
6. Drill $\frac{1}{4}$ " holes through wall surface using a masonry bit. Drill slowly through wall surface to avoid cracking and chipping. Insert anchors and securely screw brackets to wall. Before connecting hot and cold supply lines, hang ShowerSpa on wall, check height and make sure ShowerSpa is flush against wall with a secure fit.
7. Connect hot and cold water supply lines to stub-outs—DO NOT OVERTIGHTEN. Before mounting ShowerSpa, check fittings to make sure they are secure. Turn on water and check for leaks. When fittings are leak-free, mount ShowerSpa on wall.
8. OPTIONAL—Seal around body of ShowerSpa with a bead of silicone. DO NOT SEAL BOTTOM.

Retrofit—Existing Shower Replacement

NOTE—In a remodel in which you are not replacing the finished wall surface (tile, or backing material) it is advisable to purchase a PULSE ShowerSpa model that covers the location of your existing valve assembly—either single handle or two-handle type. If your PULSE ShowerSpa model does not cover this area, you will need to either choose another PULSE ShowerSpa model that does or make necessary repairs with appropriate materials (i.e. wallboard, tile, fiberglass, etc).

1. TURN OFF WATER SUPPLY TO SHOWER. Typically there is a gate valve where the water main enters the house. Turning the water valve off at hot water tank does not turn off cold water supply line.
 2. Make certain water is completely turned off to both hot & cold supply lines of shower. Turn shower valve on, both hot and cold, to VERIFY WATER SUPPLY IS OFF. Open a sink faucet in the bathroom in which you are installing ShowerSpa to relieve any pressure and help adequately drain shower supply lines.
 3. Remove handle(s) and trim cover(s) of your existing shower valve, exposing valve body in wall.
 4. Locate hot and cold supply lines entering valve. Using a reciprocating saw with sharp metal saw blade, cut existing valve out, preserving threads of supply lines entering valve. You should also cut riser within wall supplying existing shower head. Carefully twist and remove valve.
 5. Unscrew old shower head from shower arm, then unscrew shower arm from wall.
 6. Water lines must be extended to outside of wall cavity, 4" on center. For best results, attach 90° fittings (available at most hardware stores) to the stub-outs maintaining ¼" – ½" of space between fitting and finished wall. The open end of 90° fittings should point down so supply lines attach parallel to wall.¹
 - 7a. Mark location of holes for top mount, making sure holes are level. For a person 5'8" – 6'2", we recommend placing holes of upper mount at approx. 68" above finished floor.²
 - 7b. To determine location for lower mount bracket, confirm distance measured between top of mount slots located on back of ShowerSpa (approx. 23½"). Using this distance, measure down from holes in upper mount to obtain location of holes in lower mount, making certain mounts are plumb.
 - 7c. Use mounts to mark location of holes for each mount.
 8. Before drilling holes, make certain connecting to stub-outs DOES NOT INTERFERE with backside of ShowerSpa and it is flush with finished wall at desired mounting height.³
 9. Drill ¼" holes through wall surface using masonry bit. Drill slowly through wall surface to avoid cracking and chipping. Insert anchors and securely screw brackets to wall.
- BEFORE CONNECTING HOT/COLD SUPPLY LINES - Hang ShowerSpa on wall, check height and make sure ShowerSpa is flush against wall with a secure fit.
10. Connect hot and cold water supply lines to stub-outs—DO NOT OVERTIGHTEN! Before mounting ShowerSpa, check fittings to make sure they are secure. Turn on water and check for leaks. When fittings are leak-free, mount ShowerSpa on wall.
 11. OPTIONAL—Seal around body of ShowerSpa with a bead of silicone. DO NOT SEAL BOTTOM!

¹ Additional fittings or longer supply lines may be necessary depending on your specific situation.

² The mounting height can vary depending on several factors (i.e. location of supply lines, interference from ShowerSpa plumbing, old valve access area, personal preference, etc.)

³ The desired mounting height of ShowerSpa determines, or is determined by location of the ½" stub-outs.

Usage

Pressure Balance Mixing Valve

This ShowerSpa is equipped with a cUPC® pressure balance mixing valve to adjust water flow and temperature. The valve automatically adjusts to changes in water pressure (i.e. someone flushes a toilet), keeping your temperature constant and preventing accidental scalding. To turn on the ShowerSpa simply raise the handle until the desired flow rate is achieved. Rotate counter-clockwise to decrease temperature and rotate clockwise to increase temperature. Be sure that the handle is in the OFF position when you are done using your ShowerSpa so that pressure does not build up inside the unit.

Brass Diverter

The Four-way Simple Select™ diverter effortlessly selects your desired function. Simply rotate the diverter knob either direction to select functions—shower head, hand shower, body jets, or tub spout.

Hand Shower

The five-function hand shower, equipped with a 1.5M - 1.8M stainless steel stretch hose, has a large design that delivers easy function selection by twisting the face.

Body Jets

There are six single-function brass Silk Spray Jets™ that provide soothing spray. You can adjust the angle of spray by pushing on the front edge of the jet in any direction. Jet face easily disassembles for cleaning ensuring peak performance.

Care and Maintenance

To protect the finish of your copper ShowerSpa avoid using abrasive cleaners. No coarse, acidic, or alcohol-based cleaners should be used, and no steel wool, scouring pads, or wire brushes as they may scratch copper surfaces. Clean with hot soapy water and scrub with a soft nylon brush. For tough stains try using a paste of baking soda and water applied with a sponge. Rinse thoroughly and dry with a soft cloth. If the surface of your ShowerSpa discolors, it will start to darken again with use. This darkening process time will depend on how much use the ShowerSpa gets. The more the ShowerSpa is used, the faster the darkening process.

The natural patina process may also be affected by mineral content in your water supply. We recommend removing any standing water with a soft cloth to prevent calcium staining and mineral buildup.

Our copper ShowerSpas are crafted from the finest quality copper available. The patinas will change over time, developing more interest and variations. A copper finish is a living finish and never really stops changing color. You can greatly reduce this change with the use of auto wax and/or furniture oil such as Pledge Lemon Oil. Auto wax should only be used a few times a year but you can use Pledge Lemon Oil as often as you like.

Please be aware that our copper ShowerSpa has a finish that is by nature uneven with a variance in color and pattern. Additionally, the dimensions and consistency of shape can vary considerably. We offer this ShowerSpa with the view that these variations are not defects, but part of the rustic character and charm of the style.

R E M E M B E R

Never use any abrasives or harsh cleaners!

Clean with mild soap and water ONLY!

To keep your ShowerSpa in pristine condition,
DRY AFTER EACH USE!

Manufacturer's Lifetime Limited Warranty

1. Defects Covered; Warranty Period. Pulse Shower Spas, Inc. ("Pulse") warrants to the original consumer purchaser who purchases this shower spa (the "Product") for use in his or her own home, that the Product will be free from defects in material and manufacturing workmanship for as long as the original consumer purchaser owns that same home. For all other purchasers (including, but not limited to purchasers for industrial, commercial and business use), the above warranty will apply for a period of 5 years from the original date of purchase.

2. Remedy: If the Product does not conform to the above warranty, Pulse, at its option, will repair or replace the Product, free of charge, or refund your purchase price. For warranty claims, please visit www.pulshowerspas.com/index.php/warranty. Pulse may require that you return the Product to Pulse, shipping prepaid, in which case Pulse will provide you with a return materials authorization number (RMA). Pulse may also require that you provide evidence of the date you purchased the Product. Pulse will ship a new or repaired Product to you, at the expense of Pulse, or refund your purchase price. Service labor performed by you or others in connection with the removal or replacement of the Product will not be reimbursed by Pulse.

3. Exclusions: Pulse shall not be responsible for failure of the Product, and the above warranties will not apply, if the Product fails as a result of improper installation, improper use, modifications or repairs by anyone other than Pulse, or accident or abuse (including damage during shipment).

4. Warranty on Repairs and Replacements: For consumer purchasers who purchased the Product for home use, repaired or replacement Products will continue to be covered under this warranty for as long as he or she owns that same home. For other purchasers, repaired or replacement Products will be covered for the balance of the original warranty period.

5. No Other Warranties; Limitation of Liability: OTHER THAN THE LIFETIME LIMITED WARRANTY STATED ABOVE, PULSE DISCLAIMS ALL OTHER WARRANTIES, EXPRESS OR IMPLIED, INCLUDING BUT NOT LIMITED TO WARRANTIES OF MERCHANTABILITY AND FITNESS FOR A PARTICULAR PURPOSE, TO THE EXTENT PERMITTED BY APPLICABLE LAW. THE REMEDIES STATED ABOVE ARE YOUR SOLE REMEDIES IN CONNECTION WITH THIS WARRANTY. IN NO EVENT WILL PULSE BE LIABLE TO YOU FOR ANY DAMAGES, WHETHER DIRECT, INDIRECT, INCIDENTAL, SPECIAL OR CONSEQUENTIAL, INCLUDING BUT NOT LIMITED TO LOST PROFITS OR BUSINESS INTERRUPTION, ARISING OUT OF OR RELATING TO THE PRODUCT OR ITS USE, WHETHER UNDER A CONTRACT, WARRANTY, TORT, OR ANY OTHER CAUSE OF ACTION, EVEN IF PULSE HAS BEEN ADVISED OF THE POSSIBILITY OF SUCH DAMAGES. NOTWITHSTANDING THE TERM OF ANY LIMITED OR IMPLIED WARRANTY, OR IN THE EVENT THAT ANY LIMITED WARRANTY FAILS OF ITS ESSENTIAL PURPOSE, IN NO EVENT WILL PULSE'S ENTIRE LIABILITY EXCEED THE PURCHASE PRICE OF THE PRODUCT. SOME STATES AND PROVINCES DO NOT ALLOW THE EXCLUSION OR LIMITATION OF INCIDENTAL OR CONSEQUENTIAL DAMAGES SO THE ABOVE LIMITATIONS OR EXCLUSIONS MAY NOT APPLY TO YOU. THIS LIMITED WARRANTY GIVES YOU SPECIFIC LEGAL RIGHTS, AND YOU MAY ALSO HAVE OTHER RIGHTS WHICH VARY FROM STATE TO STATE AND PROVINCE TO PROVINCE.

