



ErgoSeat

Model # 4004-SSB, 4004-SSP

Specification Sheet

297 Anna St. | Watsonville, CA 95076
 831.724.7300
 www.PulseShowerSpas.com



TECHNICAL INFORMATION

- Finishes: Stainless Steel Brushed or Stainless Steel Polished
- Fixtures: Stainless Steel Brushed or Stainless Steel Polished

PRODUCT FEATURES

- Made of stainless steel construction
- Beautifully crafted bamboo
- Seat locks in place for added safety
- Stainless steel caps conceal screws
- Easy installation template included
- Holds up to 250 lbs*

NOTES

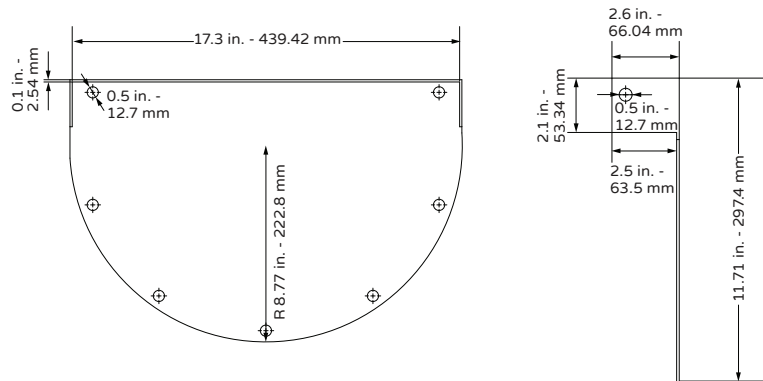
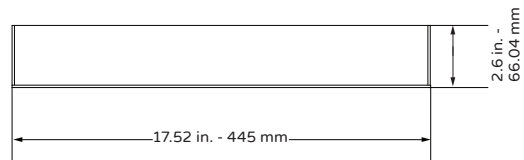
- Measure your actual product for rough-in details
- Install this product according to the installation instructions

CODE/STANDARDS

- ADA Compliant

WARRANTY

- Lifetime Limited Warranty



* Depending on installation