



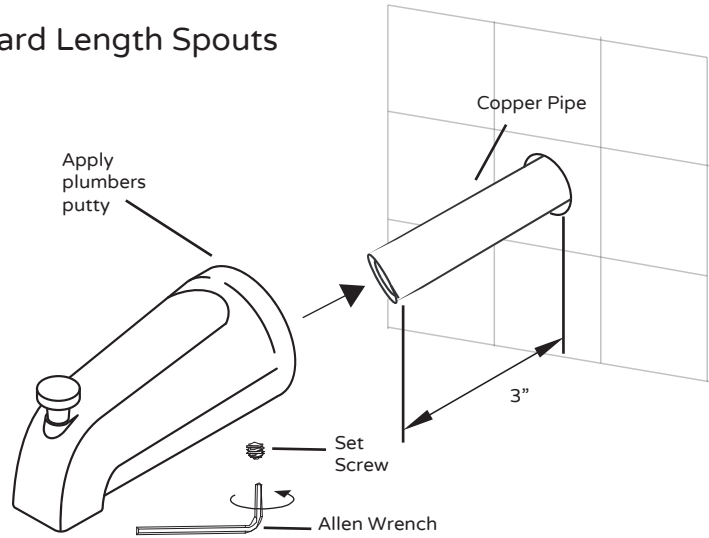
# TUB SPOUT WITH DIVERTER

Model # 3010-TS-CH | 3010-TS-BN | 3010-TS-MB | 3010-TS-ORB

297 Anna St. | Watsonville, CA 95076  
 831.724.7300  
 www.PulseShowerSpas.com

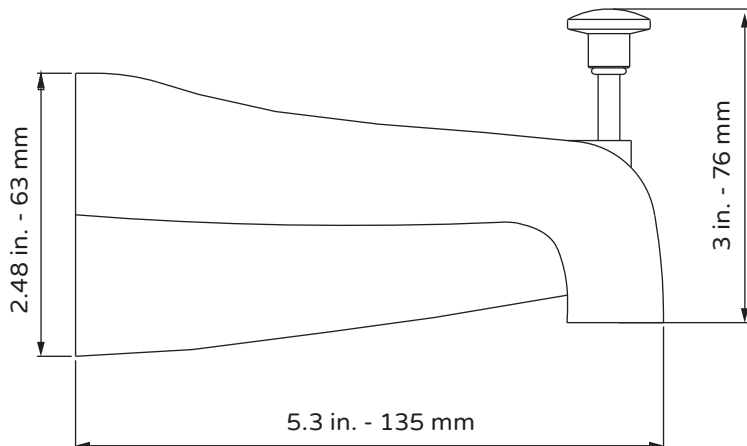
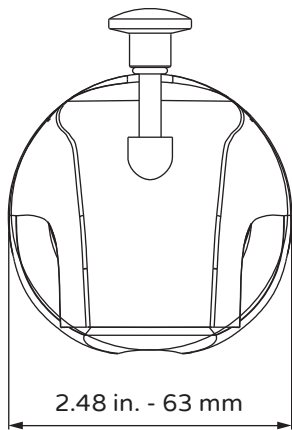


## Standard Length Spouts



1. Slide the spout to the nipple. Make sure it slides beyond inside O-ring.
2. Secure with set screw
3. Add plumbers putty

## Specifications



Measurements shown are for reference only

PM-AA-04