

TRU-TEMP VALVE



Tru-Temp Pressure Balance 1/2" Rough-In Valve Owner's Manual

3001-RIV-PB-CH

3001-RIV-PB-BN

3001-RIV-PB-ORB



3003-RIV-PB-CH

3003-RIV-PB-BN

3003-RIV-PB-ORB



Rough-In Valve Model #3001-RIV-PB & #3003-RIV-PB

Please Read The Following Instructions COMPLETELY Before Beginning!

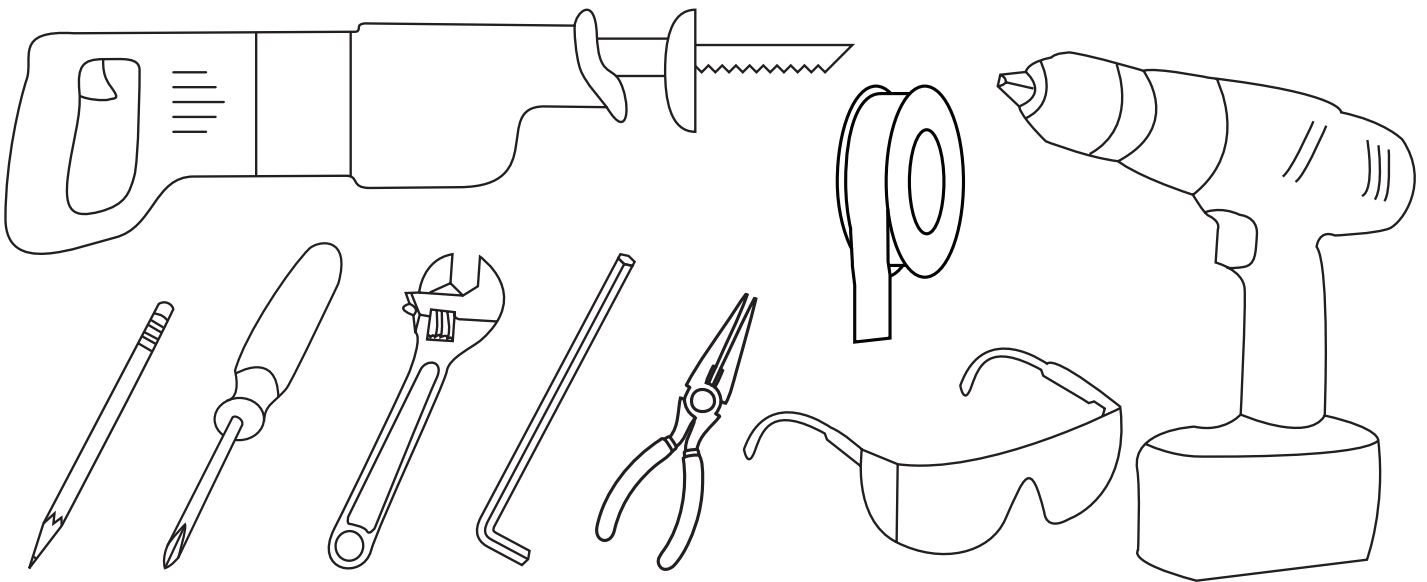
Our goal is to ensure your installation goes smoothly and safely. Please read these instructions carefully and follow recommendations for plumbing and mounting. After reading instructions, if you determine you do not have the necessary skills and/or tools, we recommend that a licensed plumbing contractor complete the installation.

*If you encounter any problems during installation
CALL TECHNICAL SUPPORT
TOLL FREE at 888-785-7320
Before returning your valve to the store*

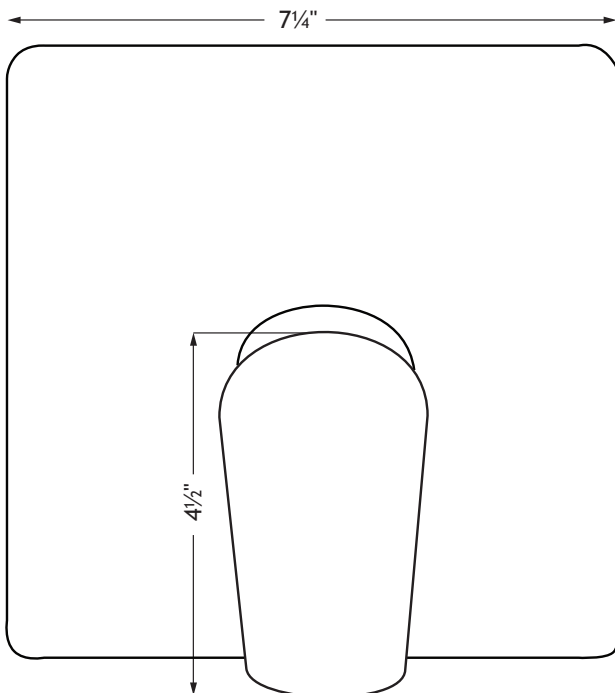
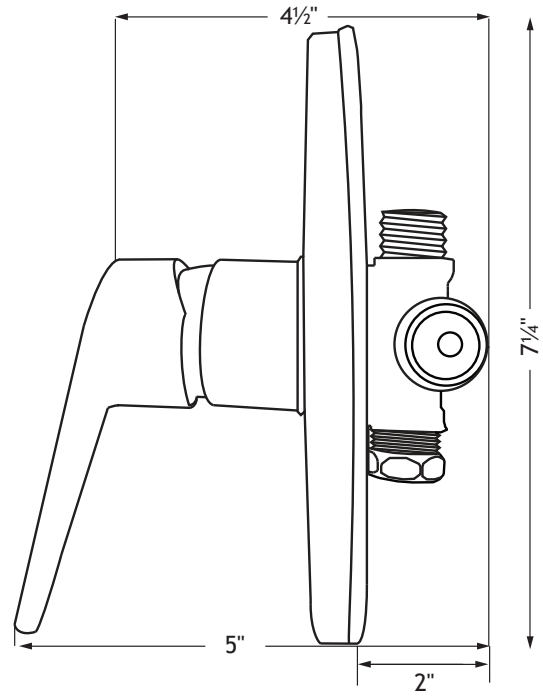
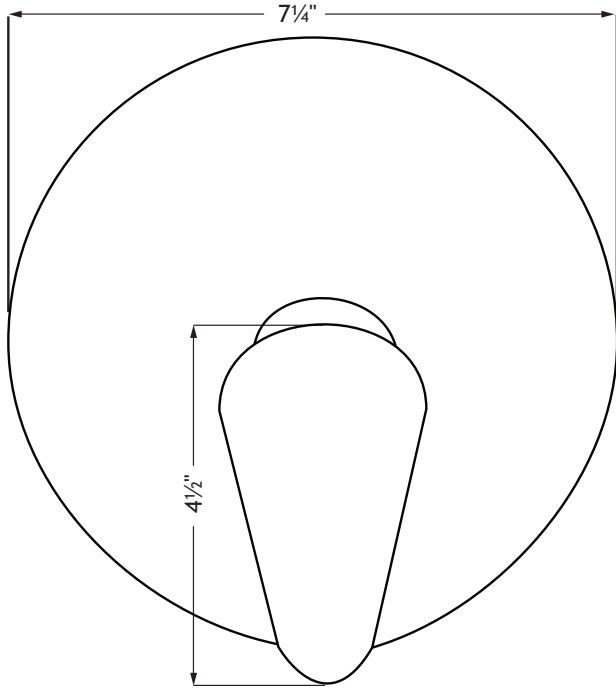
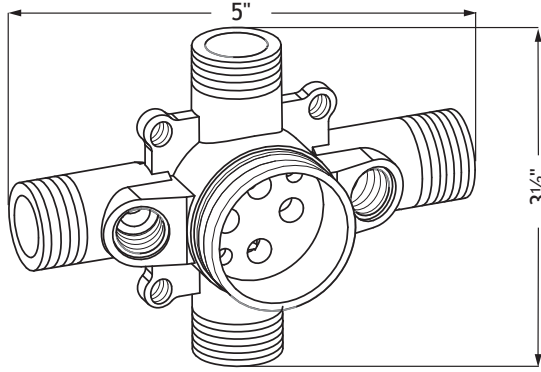
You Will Need The Following Tools

Soft pencil or felt pen to mark tile
4mm allen wrench
Safety glasses
Phillips screwdriver

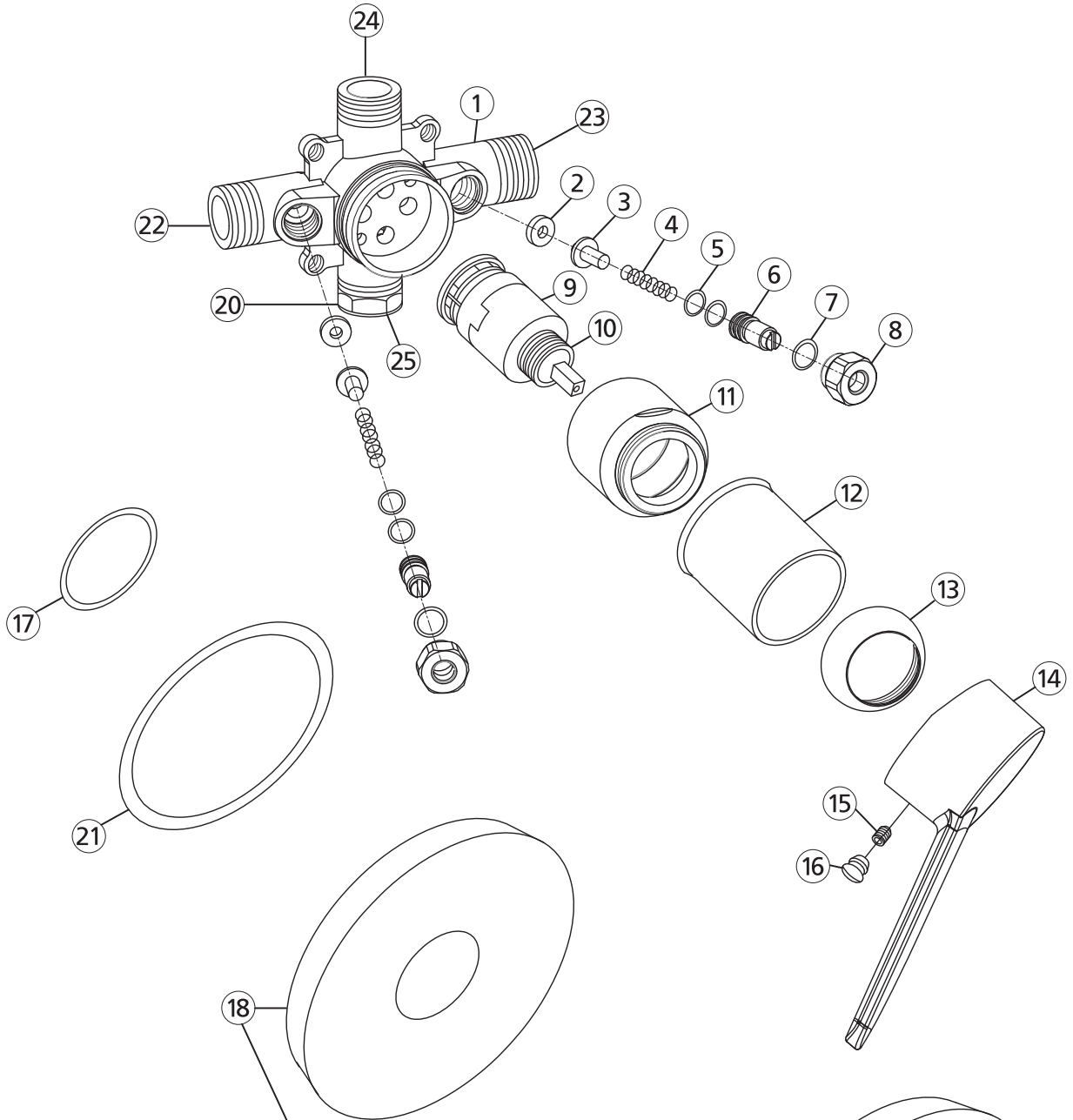
Reciprocating saw w/metal cutting blade (Sawzall®)
Channel locks or adjustable wrench
Drill (Preferably cordless)
Plumber's Tape



Product Dimensions



Parts Legend



- 1. Valve Body
- 2-8. Integral Stop/Shutoff Assembly
- 9. Pressure Balanced Cartridge
- 10. Limit Stop
- 11. Valve Sleeve
- 12. Trim Sleeve
- 13. Trim Nut
- 14. Valve Handle
- 15. Set Screw
- 16. Set Screw Cover
- 17. Friction Ring
- 18. Trim Plate
- 19. Plaster Guard
- 20. Tub Spout Cap
- 21. Wall Gasket/ Sealer
- 22. Hot Water Inlet
- 23. Cold Water Inlet
- 24. Shower head Outlet
- 25. Tub Spout Outlet

Installation

Valve Installation/Replacing Existing Valve

1. TURN OFF WATER SUPPLY TO SHOWER. Typically there is a gate valve where the water main enters the house. Turning the water valve off at hot water tank does not turn off cold water supply line.
2. Make certain water is completely turned off to both hot & cold supply lines of shower. Turn shower valve on, both hot and cold, to VERIFY WATER SUPPLY IS OFF. Open a sink faucet in bathroom in which you are installing valve to relieve any pressure and help adequately drain shower supply lines.
3. Remove handle(s) and trim cover(s) of your existing shower valve, exposing valve body in wall.
4. Locate hot and cold supply lines entering valve. Using a reciprocating saw with sharp metal saw blade and cut existing valve out. You should also cut riser within wall supplying existing shower head. Carefully twist and remove valve.
5. Install valve, making sure “up” outlet is facing up and use screws (not included) to mount to wall. Plaster guard (19) must be flush with finished wall for proper positioning. Connect water supplies to valve (hot water to left side and cold water to right side). Use thread seal compound or plumber’s tape on all threaded connections to prevent leaks. Some soldering of joints and fittings may be necessary for copper pipes.
6. Connect riser pipe and tub spout outlet plumbing. If you have a shower only model, you will need to cap valve’s tub outlet with supplied cap (20). Likewise if you have a tub only model, you will need to cap valve’s shower outlet. Do not attach showerhead until after flushing the shower’s riser pipe.
7. Remove plaster guard (19). Place trim plate (18) over valve assembly. Install handle (14) and tighten set screw (15).

Setting Maximum Water Temperature Preset

NOTE— This valve includes a factory maximum water temperature preset known as a limit stop.

WARNING: Failure to adjust the limit stop properly may result in serious scalding. This shower may not protect the user from scalding where there is a failure of other temperature controlling devices elsewhere in the system.

1. Loosen set screw (15) with an allen wrench and remove valve handle (14).
2. Remove cartridge trim nut (13) and trim sleeve (12) by hand.
3. For a lower temperature, pull red limit stop out with needle-nose pliers, turn it counter-clockwise and push it back onto cartridge.
4. For a higher temperature, pull red limit stop out with needle-nose pliers, turn it clockwise and push it back onto cartridge.
5. Reinstall cartridge trim sleeve (12), trim nut (13), and valve handle (14). Tighten set screw (15) with an allen wrench.

Usage

Tru-Temp Pressure Balance Mixing Valve

This valve is equipped with a cUPC® Tru-Temp pressure balance mixing valve to adjust water flow and temperature. The valve automatically adjusts to changes in water pressure (i.e. someone flushes a toilet), keeping your temperature constant and preventing accidental scalding. To turn on the water simply raise the handle until the desired flow rate is achieved. Rotate to the right to decrease temperature and rotate to the left to increase temperature.

Care and Maintenance

Always blot dry any water from the surface of your mixing valve. To protect your mixing valve from hard water stains and mineral deposits, use an auto spray wax periodically and wipe down your valve after each use. Allowing water to evaporate on the surface can lead to a buildup of mineral deposits. Cleaning with a damp, non-abrasive sponge and drying with a clean soft cloth should help keep your mixing valve looking beautiful.

R E M E M B E R

Never use any abrasives or harsh cleaners!

Clean with mild soap and water ONLY!

To keep your valve in pristine condition,

DRY AFTER EACH USE!

Manufacturer's Lifetime Limited Warranty

1. Defects Covered; Warranty Period. Pulse Shower Spas, Inc. ("Pulse") warrants to the original consumer purchaser who purchases this shower spa (the "Product") for use in his or her own home, that the Product will be free from defects in material and manufacturing workmanship for as long as the original consumer purchaser owns that same home. For all other purchasers (including, but not limited to purchasers for industrial, commercial and business use), the above warranty will apply for a period of 5 years from the original date of purchase.

2. Remedy. If the Product does not conform to the above warranty, Pulse, at its option, will repair or replace the Product, free of charge, or refund your purchase price. For warranty claims, please visit www.pulshower spas.com/index.php/warranty. Pulse may require that you return the Product to Pulse, shipping prepaid, in which case Pulse will provide you with a return materials authorization number (RMA). Pulse may also require that you provide evidence of the date you purchased the Product. Pulse will ship a new or repaired Product to you, at the expense of Pulse, or refund your purchase price. Service labor performed by you or others in connection with the removal or replacement of the Product will not be reimbursed by Pulse.

3. Exclusions. Pulse shall not be responsible for failure of the Product, and the above warranties will not apply, if the Product fails as a result of improper installation, improper use, modifications or repairs by anyone other than Pulse, or accident or abuse (including damage during shipment).

4. Warranty on Repairs and Replacements. For consumer purchasers who purchased the Product for home use, repaired or replacement Products will continue to be covered under this warranty for as long as he or she owns that same home. For other purchasers, repaired or replacement Products will be covered for the balance of the original warranty period.

5. No Other Warranties; Limitation of Liability. OTHER THAN THE LIFETIME LIMITED WARRANTY STATED ABOVE, PULSE DISCLAIMS ALL OTHER WARRANTIES, EXPRESS OR IMPLIED, INCLUDING BUT NOT LIMITED TO WARRANTIES OF MERCHANTABILITY AND FITNESS FOR A PARTICULAR PURPOSE, TO THE EXTENT PERMITTED BY APPLICABLE LAW. THE REMEDIES STATED ABOVE ARE YOUR SOLE REMEDIES IN CONNECTION WITH THIS WARRANTY. IN NO EVENT WILL PULSE BE LIABLE TO YOU FOR ANY DAMAGES, WHETHER DIRECT, INDIRECT, INCIDENTAL, SPECIAL OR CONSEQUENTIAL, INCLUDING BUT NOT LIMITED TO LOST PROFITS OR BUSINESS INTERRUPTION, ARISING OUT OF OR RELATING TO THE PRODUCT OR ITS USE, WHETHER UNDER A CONTRACT, WARRANTY, TORT, OR ANY OTHER CAUSE OF ACTION, EVEN IF PULSE HAS BEEN ADVISED OF THE POSSIBILITY OF SUCH DAMAGES. NOTWITHSTANDING THE TERM OF ANY LIMITED OR IMPLIED WARRANTY, OR IN THE EVENT THAT ANY LIMITED WARRANTY FAILS OF ITS ESSENTIAL PURPOSE, IN NO EVENT WILL PULSE'S ENTIRE LIABILITY EXCEED THE PURCHASE PRICE OF THE PRODUCT. SOME STATES AND PROVINCES DO NOT ALLOW THE EXCLUSION OR LIMITATION OF INCIDENTAL OR CONSEQUENTIAL DAMAGES SO THE ABOVE LIMITATIONS OR EXCLUSIONS MAY NOT APPLY TO YOU. THIS LIMITED WARRANTY GIVES YOU SPECIFIC LEGAL RIGHTS, AND YOU MAY ALSO HAVE OTHER RIGHTS WHICH VARY FROM STATE TO STATE AND PROVINCE TO PROVINCE.

