

AQUARIUS

shower system

1052-BN | 1052-BN-1.8GPM | 1052-CH | 1052-CH-1.8GPM | 1052-MB | 1052-MB-1.8GPM



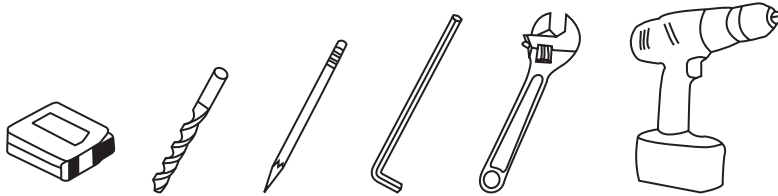
PM-AA-04

Please Read The Following Instructions Completely Before Beginning!

Our goal is to ensure your installation goes smoothly and safely. Please read these instructions carefully and follow recommendations for plumbing and mounting. After reading instructions, if you determine you do not have the necessary skills and/or tools, we recommend that a licensed plumbing contractor complete the installation.

**If you encounter any problems during installation
Call Technical Support Toll Free at 888-785-7320
Before returning your ShowerSpa to the store**

You Will Need The Following Tools:



LIFETIME LIMITED WARRANTY

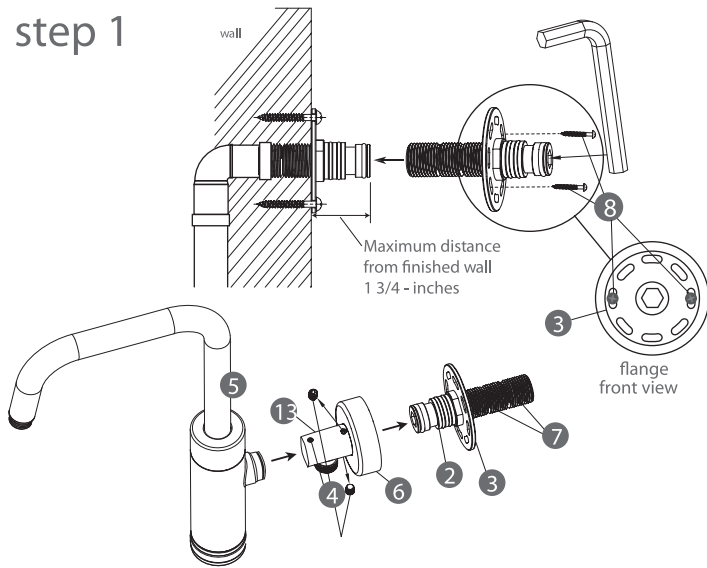
- 1. Defects Covered; Warranty Period.** Pulse Shower Spas, Inc. ("Pulse") warrants to the original consumer purchaser who purchases this shower spa (the "Product") for use in his or her own home, that the Product will be free from defects in material and manufacturing workmanship for as long as the original consumer purchaser owns that same home. For all other purchasers (including, but not limited to purchasers for industrial, commercial and business use), the above warranty will apply for a period of 5 years from the original date of purchase.
- 2. Remedy.** If the Product does not conform to the above warranty, Pulse, at its option, will repair or replace the Product, free of charge, or refund your purchase price. For warranty claims, please visit www.pulshowerspas.com/index.php/warranty. Pulse may require that you return the Product to Pulse, shipping prepaid, in which case Pulse will provide you with a return materials authorization number (RMA). Pulse may also require that you provide evidence of the date you purchased the Product. Pulse will ship a new or repaired Product to you, at the expense of Pulse, or refund your purchase price. Service labor performed by you or others in connection with the removal or replacement of the Product will not be reimbursed by Pulse.
- 3. Exclusions.** Pulse shall not be responsible for failure of the Product, and the above warranties will not apply, if the Product fails as a result of improper installation, improper use, modifications or repairs by anyone other than Pulse, or accident or abuse (including damage during shipment).
- 4. Warranty on Repairs and Replacements.** For consumer purchasers who purchased the Product for home use, repaired or replacement Products will continue to be covered under this warranty for as long as he or she owns that same home. For other purchasers, repaired or replacement Products will be covered for the balance of the original warranty period.
- 5. No Other Warranties; Limitation of Liability.** OTHER THAN THE LIFETIME LIMITED WARRANTY STATED ABOVE, PULSE DISCLAIMS ALL OTHER WARRANTIES, EXPRESS OR IMPLIED, INCLUDING BUT NOT LIMITED TO WARRANTIES OF MERCHANTABILITY AND FITNESS FOR A PARTICULAR PURPOSE, TO THE EXTENT PERMITTED BY APPLICABLE LAW. THE REMEDIES STATED ABOVE ARE YOUR SOLE REMEDIES IN CONNECTION WITH THIS WARRANTY. IN NO EVENT WILL PULSE BE LIABLE TO YOU FOR ANY DAMAGES, WHETHER DIRECT, INDIRECT, INCIDENTAL, SPECIAL OR CONSEQUENTIAL, INCLUDING BUT NOT LIMITED TO LOST PROFITS OR BUSINESS INTERRUPTION, ARISING OUT OF OR RELATING TO THE PRODUCT OR ITS USE, WHETHER UNDER A CONTRACT, WARRANTY, TORT, OR ANY OTHER CAUSE OF ACTION, EVEN IF PULSE HAS BEEN ADVISED OF THE POSSIBILITY OF SUCH DAMAGES. NOTWITHSTANDING THE TERM OF ANY LIMITED OR IMPLIED WARRANTY, OR IN THE EVENT THAT ANY LIMITED WARRANTY FAILS OF ITS ESSENTIAL PURPOSE, IN NO EVENT WILL PULSE'S ENTIRE LIABILITY EXCEED THE PURCHASE PRICE OF THE PRODUCT. SOME STATES AND PROVINCES DO NOT ALLOW THE EXCLUSION OR LIMITATION OF INCIDENTAL OR CONSEQUENTIAL DAMAGES SO THE ABOVE LIMITATIONS OR EXCLUSIONS MAY NOT APPLY TO YOU. THIS LIMITED WARRANTY GIVES YOU SPECIFIC LEGAL RIGHTS, AND YOU MAY ALSO HAVE OTHER RIGHTS WHICH VARY FROM STATE TO STATE AND PROVINCE TO PROVINCE.

AQUARIUS

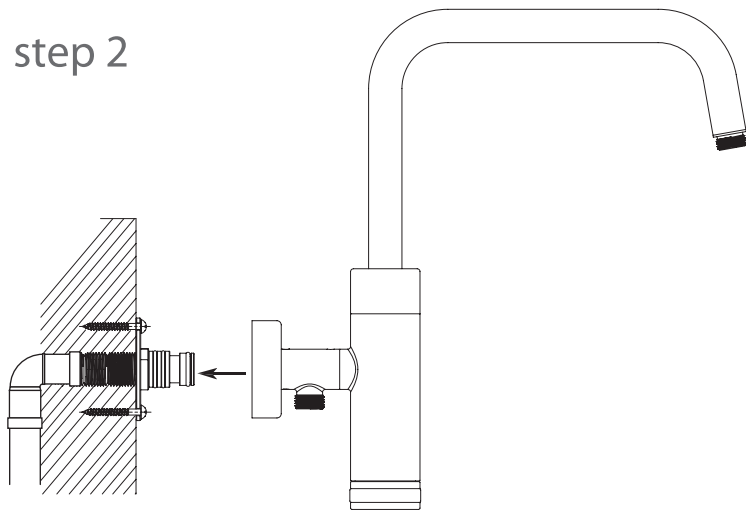
shower system

installation manual

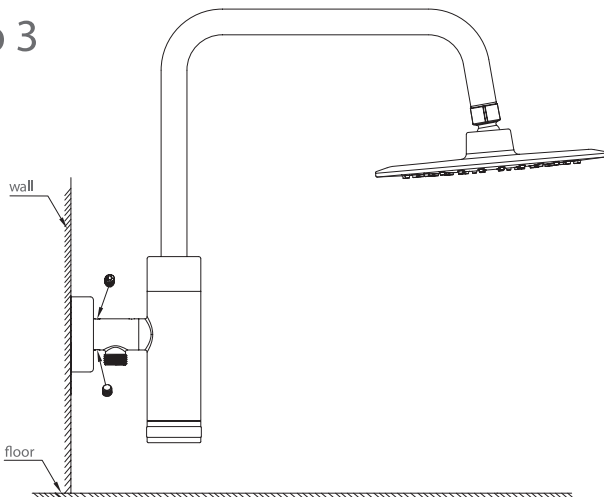
step 1



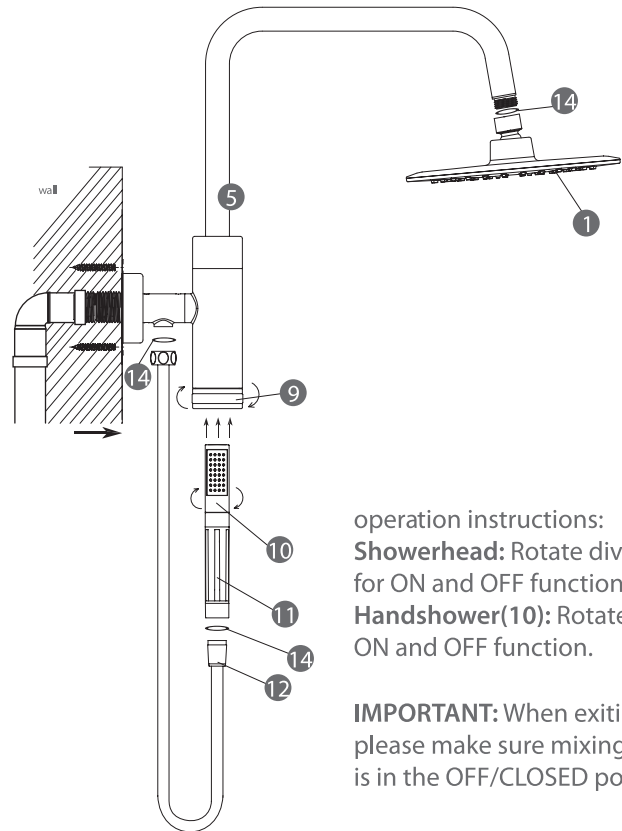
step 2



step 3



final assembly



operation instructions:
Showerhead: Rotate diverter(9)
for ON and OFF function.
Handshower(10): Rotate handle for
ON and OFF function.

IMPORTANT: When exiting shower
please make sure mixing valve
is in the OFF/CLOSED position.

parts legend

1. showerhead	6. escutcheon	10. handshower on/off
2. inlet fitting	7. Extension (2)	11. handshower
3. flange	8. Mounting screws w/ anchors (2)	12. shower hose
4. set screw (3)	9. showerhead on/off	13. top-tee
5. shower body		14. rubber washer (3)

Instructions:

1. Remove inlet fitting(2) from top-tee(13) by loosening set screws(4).
2. Remove top-tee(13) from shower body(5) by loosening set screws(4).
3. Determine length of nipple for your installation. If needed, add extension(s)(7) for proper length.

Note: drawing on Step 1 for correct length.

4. Apply PTFE tape (clockwise) or plumber's thread sealant to nipple threads.
5. Thread flange(3) on to inlet fitting(2).
6. Use Allen wrench to securely tighten nipple into wall fitting ensuring no leaks.

7. Tighten flange(3) against finished wall surface.

Optional: Drill two 3/16-in. holes through flange.

Insert anchors(8) and secure with screws provided(8).

CAUTION: Live plumbing behind the wall.

8. Slide escutcheon(6) onto top-tee(13).
9. Re-insert top-tee(13) over inlet fitting(2).
Hint: Use soft soap to lubricate o-rings.
10. Vertically align top-tee(13) and secure with two set screws(4).
11. Slide escutcheon(6) against finished wall surface.
12. Attach shower body(5) to top-tee(13). Vertically align and secure with set screw(4).
13. Insert a rubber washer(14), attach hose(12) to top-tee(13) and handshower.
Note: Hex nut fastens to top-tee fitting(13). Tapered end of hose(12) attaches to handshower.
15. Insert handshower into bottom of shower body(5) until magnet is activated.
Note: Held with Magnetic holder
16. Attach showerhead (1) to shower arm.



For more information and shop for parts visit us at:
www.PulseShowerSpas.com

