

SEEDONA



PULSE

SHOWERSPAs

Sedona ShowerSpa **Model #1041** **Owner's Manual**



Sedona ShowerSpa Model 1041

Please Read The Following Instructions **COMPLETELY** Before Beginning!

Our goal is to ensure your installation goes smoothly and safely. Please read these instructions carefully and follow recommendations for plumbing and mounting. **After reading instructions, if you determine you do not have the necessary skills and/or tools, we recommend that a licensed plumbing contractor complete the installation.**

***If you encounter any problems during installation
CALL TECHNICAL SUPPORT
TOLL FREE at 888-785-7320
Before returning your ShowerSpa to the store***

You Will Need The Following Tools

Soft pencil or felt pen to mark tile

4mm allen wrench

Safety glasses

Tape measure

Level

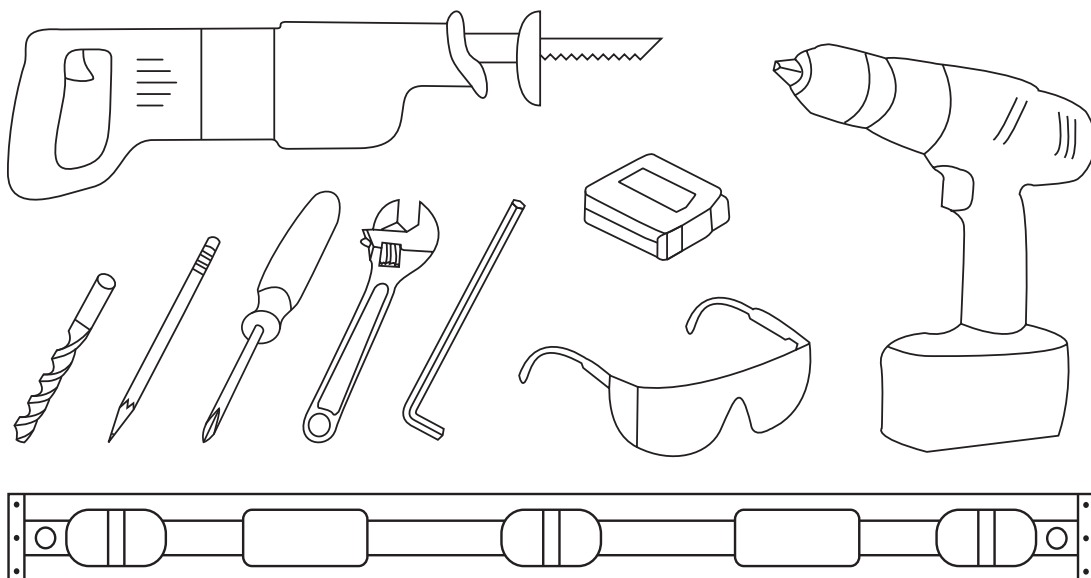
Reciprocating saw w/metal cutting blade (Sawzall®)

Adjustable wrench

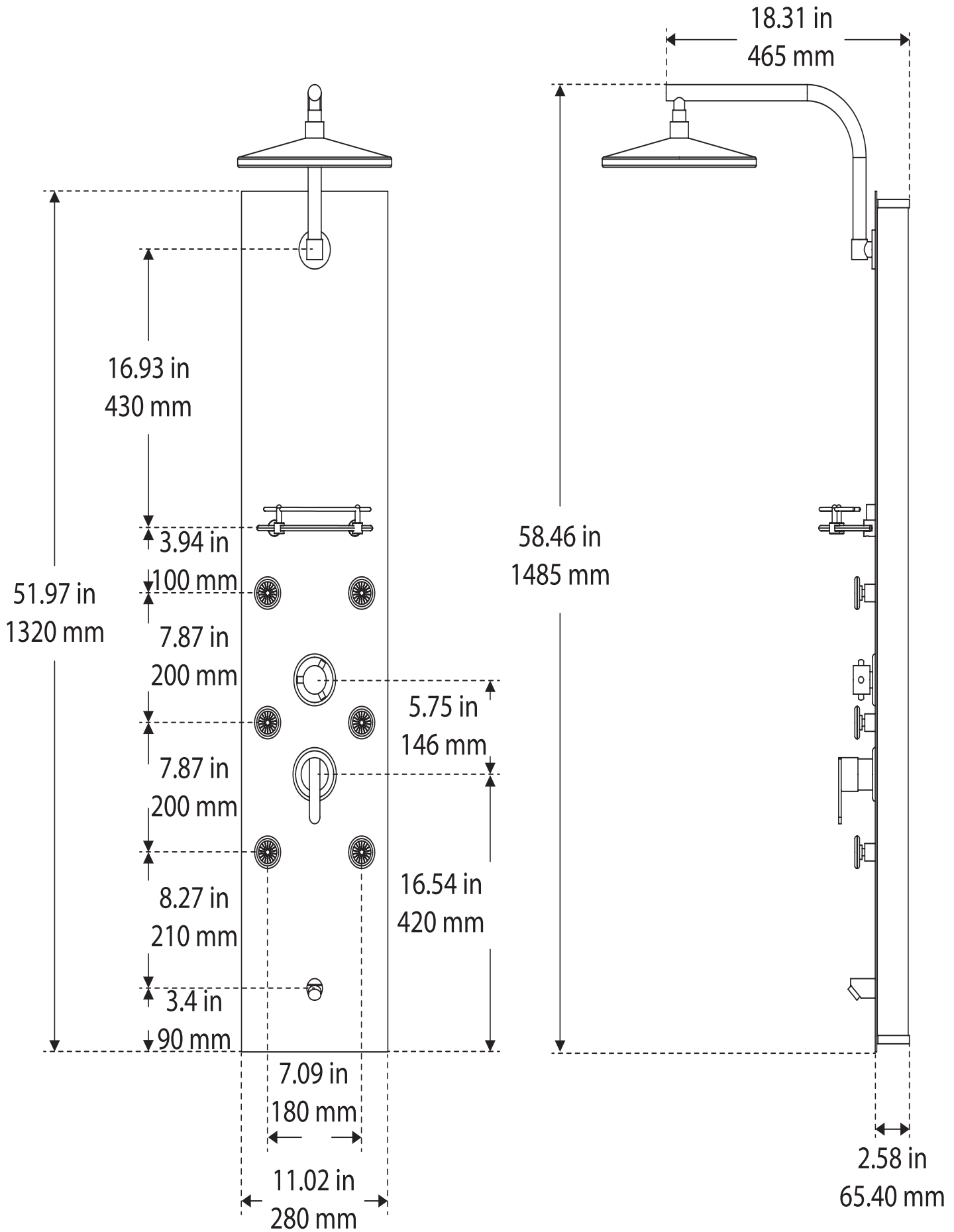
Drill/Driver (Preferably cordless)

¼" Masonry drill bit

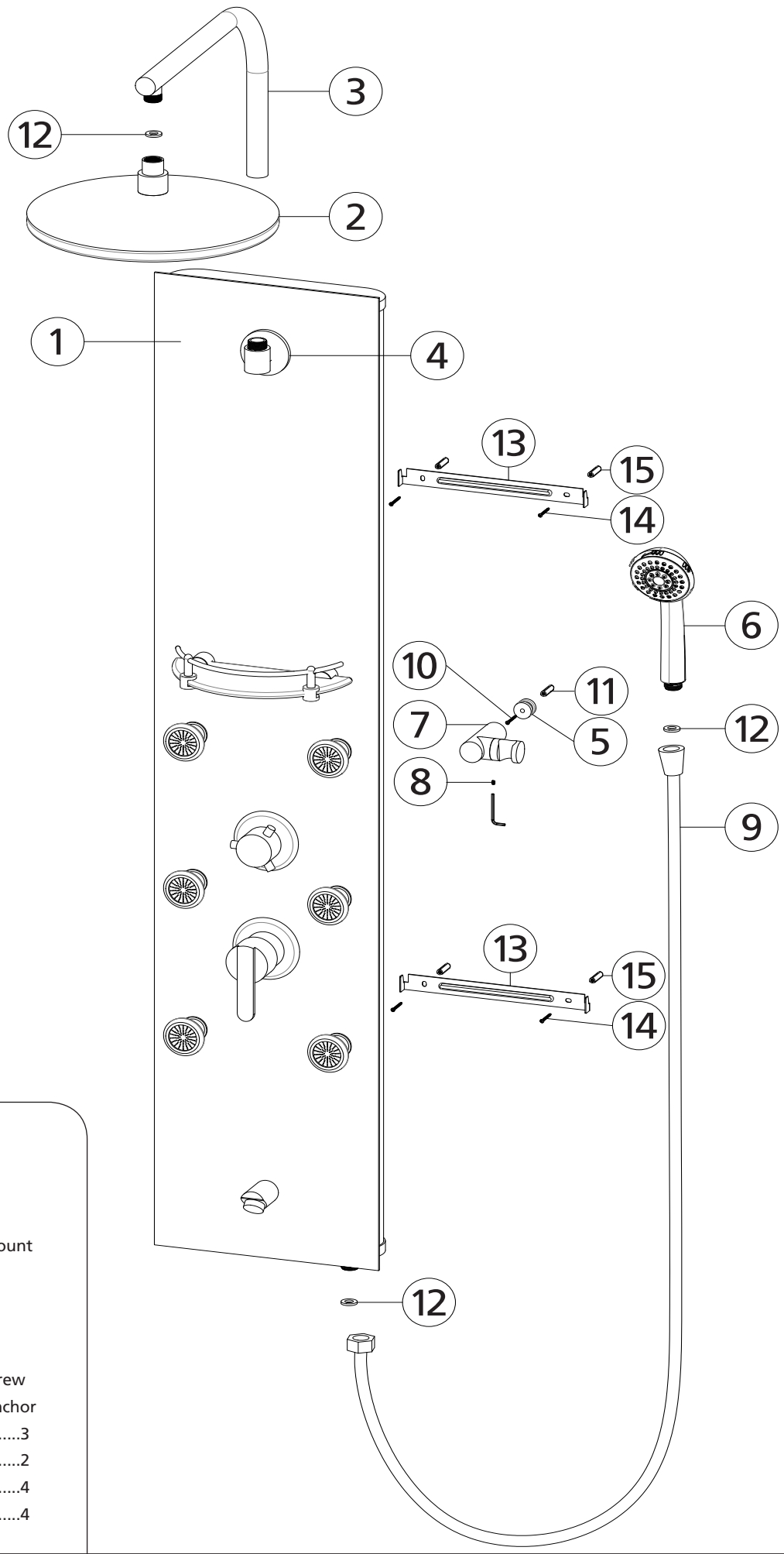
Phillips screwdriver



Product Dimensions



Parts Legend



- 1. ShowerSpa
- 2. Shower Head
- 3. Shower Arm
- 4. Shower Arm Insert
- 5. Hand Shower Holder Mount
- 6. Hand Shower
- 7. Hand Shower Holder
- 8. Set Screw
- 9. Hand Shower Hose
- 10. Hand Shower Mount Screw
- 11. Hand Shower Mount Anchor
- 12. Rubber Washer3
- 13. Wall Mount Bracket.....2
- 14. Wall Mount Screw4
- 15. Wall Mount Anchor4

After unpacking your ShowerSpa, some assembly is required prior to installation.

Shower Arm Assembly

1. Thread shower arm (3) into shower arm insert (4) completely. **NOTE: Shower arm should pivot side-to-side.**
2. Insert rubber washer (12) in shower head (2) and tighten shower head onto shower arm (3).

Hand Shower Holder Assembly

1. Mark preferred mounting location of hand shower holder (7). Drill ¼" hole into wall surface (**CAUTION: LIVE PLUMBING**) for hand shower mount anchor (11).
2. Secure hand shower holder mount (5) to wall surface by tightening hand shower mount screw (10) into anchor (11).
3. Slide hand shower holder (7) onto mount (11) and secure with set screw (8).

After ShowerSpa is mounted to the wall

Hand Shower Assembly

1. Insert washer (12) into hexagon shaped end of hand shower hose (9) and attach to threaded outlet on bottom of ShowerSpa (1). Do not over-tighten.
2. Insert washer (12) into tapered end of hand shower hose (9) and attach to hand shower (6). Insert hand shower into holder (7).

Installation – New Construction

Extensive Remodel – New Finished Wall Surface

1. Prior to sheetrock, stub-out ½" hot and cold supply lines beyond finished wall surface, 4" on center. For best results, attach 90° brass fittings (available at most hardware stores) to the stub-outs maintaining ¼" – ½" of space between the fitting and finished wall. The open end of the 90° brass fittings should point down so the ShowerSpa's supply lines attach parallel to wall. ¹
2. For a person 5'8" – 6'2" we recommend stub-outs be 40" above finished floor. ²
3. Before installation, make certain water is **COMPLETELY TURNED OFF** to both hot & cold supply lines of shower.
- 4a. Mark location of holes for top mount, making sure holes are level. For a person 5'8" – 6'2", we recommend placing holes of upper mount at approx. 60" above finished floor. ³
- 4b. To determine location for lower mount measure distance between indents on bottom edge of horizontal mounting bars on back of ShowerSpa (approx. 23⅞"). Using this distance, measure down from holes in upper mount to obtain location of holes in lower mount making certain mounts are plumb.
- 4c. Use mounts to mark location of holes for each mount.
5. Before drilling holes, make certain that connecting to stub-outs **DOES NOT INTERFERE** with backside of ShowerSpa and it is flush with finished wall at desired mounting height. ²
6. Drill ¼" holes through wall surface using a masonry bit. Drill slowly through wall surface to avoid cracking and chipping. Insert anchors and securely screw brackets to wall. Before connecting hot and cold supply lines, hang ShowerSpa on wall, check height and make sure ShowerSpa is flush against wall with a secure fit.
7. Connect hot and cold water supply lines to stub-outs—**DO NOT OVERTIGHTEN**. Before mounting ShowerSpa, check fittings to make sure they are secure. Turn on water and check for leaks. When fittings are leak-free, mount ShowerSpa on wall.
8. **OPTIONAL**—Seal around body of ShowerSpa with a bead of silicone. **DO NOT SEAL BOTTOM.**

Retrofit—Existing Shower Replacement

NOTE—In a remodel in which you are not replacing the finished wall surface (tile, or backing material) it is advisable to purchase a PULSE ShowerSpa model that covers the location of your existing valve assembly—either single handle or two-handle type. If your PULSE ShowerSpa model does not cover this area, you will need to either choose another PULSE ShowerSpa model that does or make necessary repairs with appropriate materials (i.e. wallboard, tile, fiberglass, etc).

1. **TURN OFF WATER SUPPLY TO SHOWER.** Typically there is a gate valve where the water main enters the house. Turning the water valve off at hot water tank does not turn off cold water supply line.
 2. Make certain water is completely turned off to both hot & cold supply lines of shower. Turn shower valve on, both hot and cold, to **VERIFY WATER SUPPLY IS OFF.** Open a sink faucet in the bathroom in which you are installing ShowerSpa to relieve any pressure and help adequately drain shower supply lines.
 3. Remove handle(s) and trim cover(s) of your existing shower valve, exposing valve body in wall.
 4. Locate hot and cold supply lines entering valve. Using a reciprocating saw with sharp metal saw blade, cut existing valve out, preserving threads of supply lines entering valve. You should also cut riser within wall supplying existing shower head. Carefully twist and remove valve.
 5. Unscrew old shower head from shower arm, then unscrew shower arm from wall.
 6. Water lines must be extended to outside of wall cavity, 4" on center. For best results, attach 90° fittings (available at most hardware stores) to the stub-outs maintaining ¼" – ½" of space between fitting and finished wall. The open end of 90° fittings should point down so supply lines attach parallel to wall.¹
 - 7a. Mark location of holes for top mount, making sure holes are level. For a person 5'8" – 6'2", we recommend placing holes of upper mount at approx. 68" above finished floor.²
 - 7b. To determine location for lower mount bracket, confirm distance measured between top of mount slots located on back of ShowerSpa (approx. 23⅜"). Using this distance, measure down from holes in upper mount to obtain location of holes in lower mount, making certain mounts are plumb.
 - 7c. Use mounts to mark location of holes for each mount.
 8. Before drilling holes, make certain connecting to stub-outs **DOES NOT INTERFERE** with backside of ShowerSpa and it is flush with finished wall at desired mounting height.³
 9. Drill ¼" holes through wall surface using masonry bit. Drill slowly through wall surface to avoid cracking and chipping. Insert anchors and securely screw brackets to wall.
- BEFORE CONNECTING HOT/COLD SUPPLY LINES** - Hang ShowerSpa on wall, check height and make sure ShowerSpa is flush against wall with a secure fit.
10. Connect hot and cold water supply lines to stub-outs—**DO NOT OVERTIGHTEN!** Before mounting ShowerSpa, check fittings to make sure they are secure. Turn on water and check for leaks. When fittings are leak-free, mount ShowerSpa on wall.
 11. **OPTIONAL**—Seal around body of ShowerSpa with a bead of silicone. **DO NOT SEAL BOTTOM!**

¹ Additional fittings or longer supply lines may be necessary depending on your specific situation.

² The mounting height can vary depending on several factors (i.e. location of supply lines, interference from ShowerSpa plumbing, old valve access area, personal preference, etc.)

³ The desired mounting height of ShowerSpa determines, or is determined by location of the ½" stub-outs.

Pressure Balance Mixing Valve

This ShowerSpa is equipped with a cUPC® pressure balance mixing valve to adjust water flow and temperature. The valve automatically adjusts to changes in water pressure (i.e. someone flushes a toilet), keeping your temperature constant and preventing accidental scalding. To turn on the ShowerSpa simply raise the handle until the desired flow rate is achieved. Rotate counter-clockwise to decrease temperature and rotate clockwise to increase temperature. Be sure that the handle is in the OFF position when you are done using your ShowerSpa so that pressure does not build up inside the unit.

Brass Diverter

The Four-way Simple Select™ diverter effortlessly selects your desired function. Simply rotate the diverter knob either direction to select functions—shower head, hand shower, body jets, or tub spout.

Hand Shower

The five-function hand shower, equipped with a 1.5M - 1.8M stainless steel stretch hose, has a large design that delivers easy function selection by twisting the face.

Body Jets

There are six single-function brass Silk Spray Jets™ that provide soothing spray. You can adjust the angle of spray by pushing on the front edge of the jet in any direction. Jet face easily disassembles for cleaning ensuring peak performance.

Care and Maintenance

To protect the finish of your copper ShowerSpa avoid using abrasive cleaners. No coarse, acidic, or alcohol-based cleaners should be used, and no steel wool, scouring pads, or wire brushes as they may scratch copper surfaces. Clean with hot soapy water and scrub with a soft nylon brush. For tough stains try using a paste of baking soda and water applied with a sponge. Rinse thoroughly and dry with a soft cloth. If the surface of your ShowerSpa discolors, it will start to darken again with use. This darkening process time will depend on how much use the ShowerSpa gets. The more the ShowerSpa is used, the faster the darkening process.

The natural patina process may also be affected by mineral content in your water supply. We recommend removing any standing water with a soft cloth to prevent calcium staining and mineral buildup.

Our copper ShowerSpas are crafted from the finest quality copper available. The patinas will change over time, developing more interest and variations. A copper finish is a living finish and never really stops changing color. You can greatly reduce this change with the use of auto wax and/or furniture oil such as Pledge Lemon Oil. Auto wax should only be used a few times a year but you can use Pledge Lemon Oil as often as you like.

Please be aware that our copper ShowerSpa has a finish that is by nature uneven with a variance in color and pattern. Additionally, the dimensions and consistency of shape can vary considerably. We offer this ShowerSpa with the view that these variations are not defects, but part of the rustic character and charm of the style.

R E M E M B E R

Never use any abrasives or harsh cleaners!

Clean with mild soap and water ONLY!

*To keep your ShowerSpa in pristine condition,
DRY AFTER EACH USE!*

Manufacturer's Limited Warranty

PULSE ShowerSpas, Inc. warrants that all ShowerSpas are free from defect in workmanship and/or materials for a period of three years from the date of purchase. This warranty extends to the original purchaser only and is non-transferable.

This warranty does not cover, and PULSE ShowerSpas will not pay for any conditions, malfunctions or damages resulting from (1) normal wear and tear, improper installation (whether performed by a contractor, a service company or the consumer), improper maintenance, misuse, abuse, negligence, accident or alteration; (2) the use of abrasive, caustic or "no-rinse" cleaning agents; (3) the use of the product in any manner contrary to the product instruction; (4) any condition in the home such as excessive water pressure or corrosion.

Should any ShowerSpa be determined by PULSE ShowerSpas, Inc. to be defective in normal residential use, at the option of PULSE ShowerSpas, Inc., such product shall either be replaced or repaired and returned to the customer free of defects. The consumer shall give notice of any defects to PULSE ShowerSpas, Inc. within thirty days of discovery of such defect.

Proof of purchase (original sales receipt) must be provided to PULSE ShowerSpas, Inc. with all warranty claims.

PULSE ShowerSpas, Inc. is not responsible for any labor charges, removal charges, installation or other consequential costs. In no event shall the liability of PULSE ShowerSpas, Inc. exceed the purchase price of the ShowerSpa.

Some states/provinces do not allow limitations of how long an implied warranty lasts or the exclusion or limitation of such damages, so these limitations and exclusions may not apply to you. This warranty gives the consumer specific legal rights. You may also have other rights that vary by state/province.

Follow manufacturer's recommended installation. Use caution with children under ten years of age. Do not use ShowerSpa as a support device. Do not use harsh chemicals or abrasives when cleaning. Turn water supply off when servicing your ShowerSpa.



PULSE
SHOWERSPAS

Pulse ShowerSpas, Inc. ~ 297 Anna Street ~ Watsonville, CA 95076 ~ 888.785.7320
info@pulseshowerspas.com ~ www.pulseshowerspas.com ~ support@pulseshowerspas.com