



AquaRain Shower System
Model # 1019-BN & 1019-CH

PW-91019-1325BRN & PW-91019-1325CP

Owner's Manual



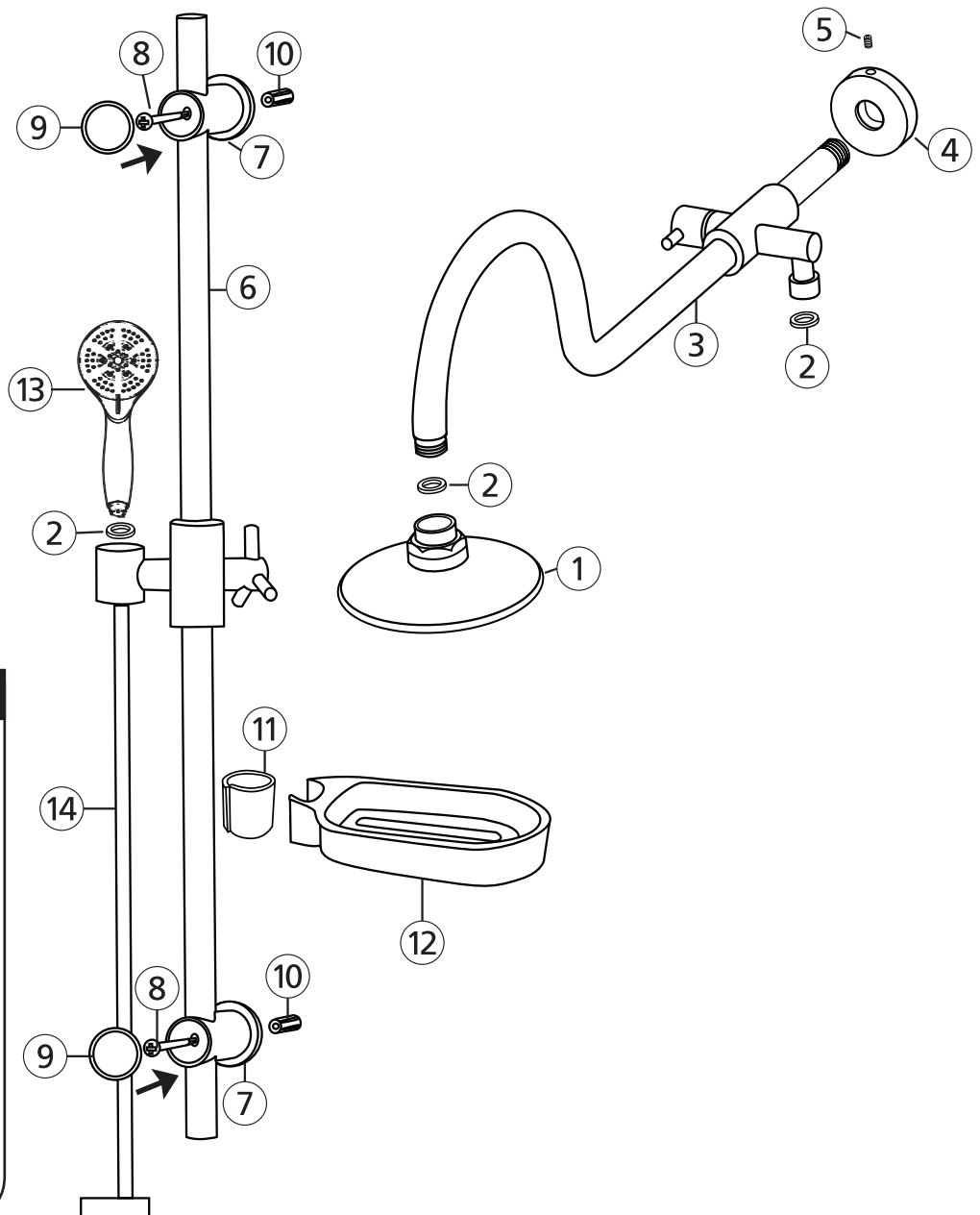
Please Read The Following Instructions
COMPLETELY Before Beginning!

Our goal is to ensure your installation goes smoothly and safely. Please read these instructions carefully and follow recommendations for plumbing and mounting. After reading instructions, if you determine you do not have the necessary skills and/or tools, we recommend that a licensed plumbing contractor complete the installation.

If you encounter any problems during installation
 PLEASE VISIT CUSTOMER SUPPORT AT
WWW.PULSESHOWERSPAS.COM
 Before returning your Shower System to the store

You Will Need The Following Tools

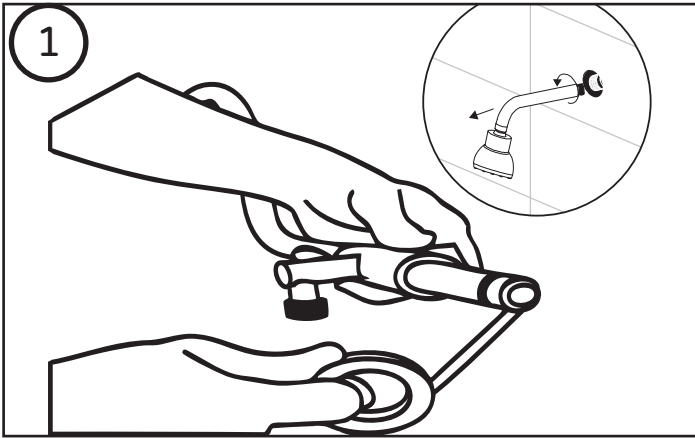
- Channel locks or adjustable wrench
- Drill (preferably cordless)
- 6mm (1/4") Masonry tile/drill bit
- Philips screwdriver
- Pipe wrench
- Safety glasses
- Level



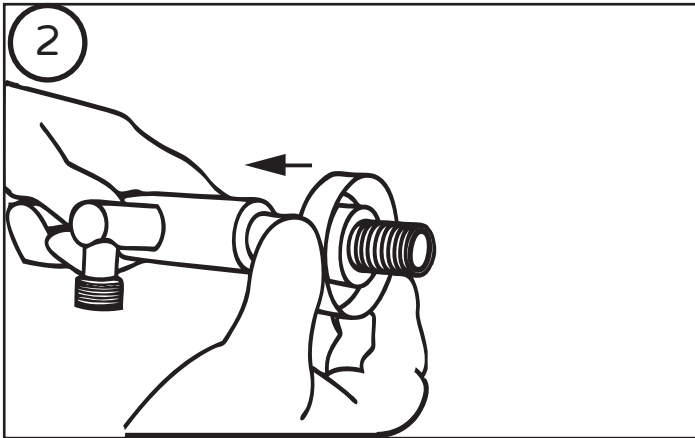
Shower System Parts

- 1. Showerhead
- 2. Rubber Washer.....3
- 3. Shower arm
- 4. Escutcheon
- 5. Set Screw
- 6. Slide Bar
- 7. Slide Bar Mounts.....2
- 8. Screw 3.375".....2
- 9. Mount Covers.....2
- 10. Wall Anchors.....2
- 11. Tapered Nylon Sleeve.....2
- 12. Soap Dish.....2
- 13. Handshower
- 14. Handshower Hose

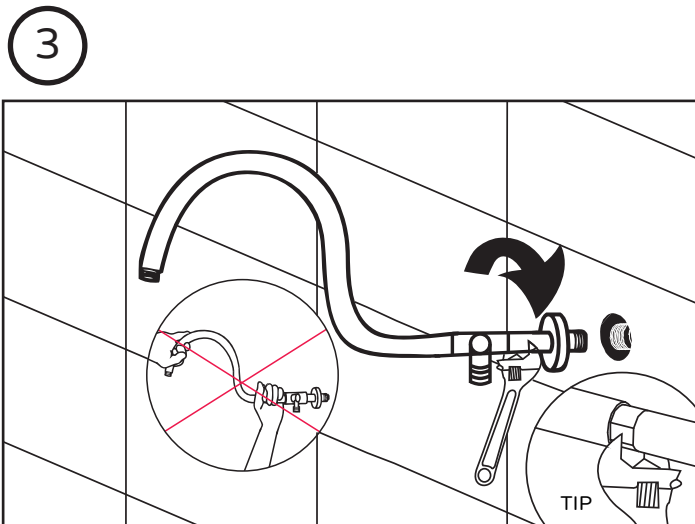
Installation Instructions



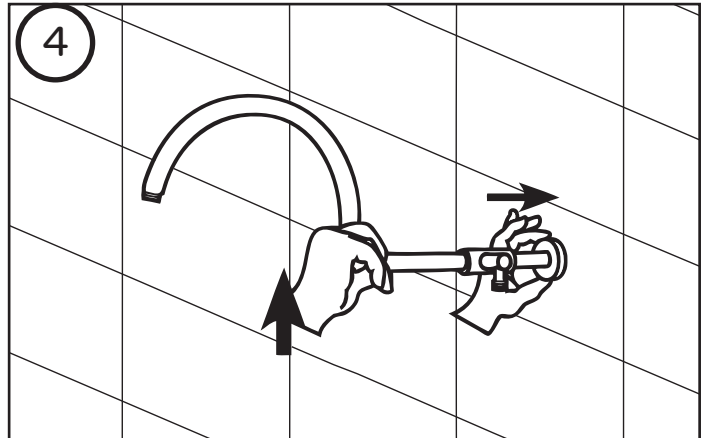
1 Remove existing shower arm and shower head. Wrap threads of shower pipe with Teflon tape and/or pipe sealant to make ensure no leaks.



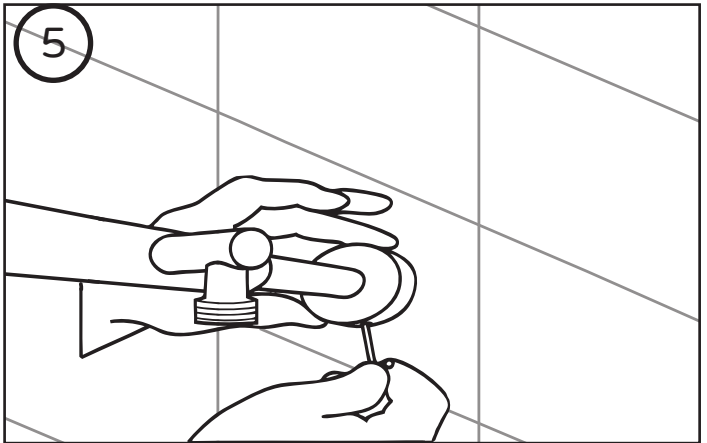
2 Slide escutcheon over threaded shower pipe.



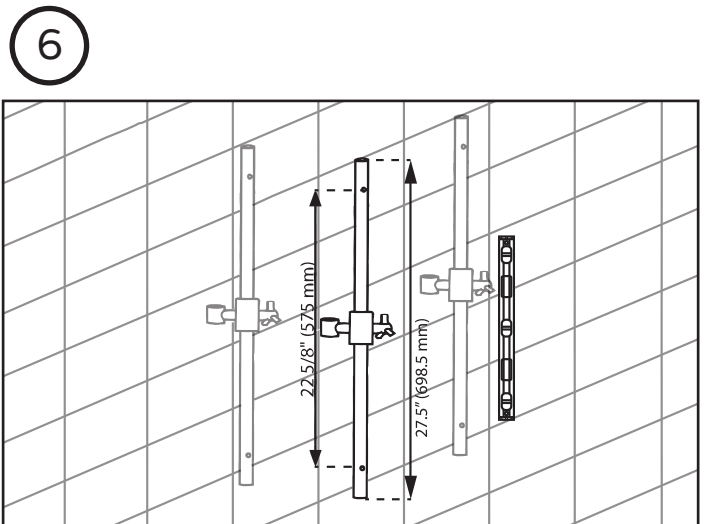
3 Insert threaded pipe into female wall fitting and tighten securely. TIP: Use diverter body to tighten by hand or use a pipe wrench on inlet piece closest to wall.



4 Slide escutcheon against wall, make sure the shower system is leveled.



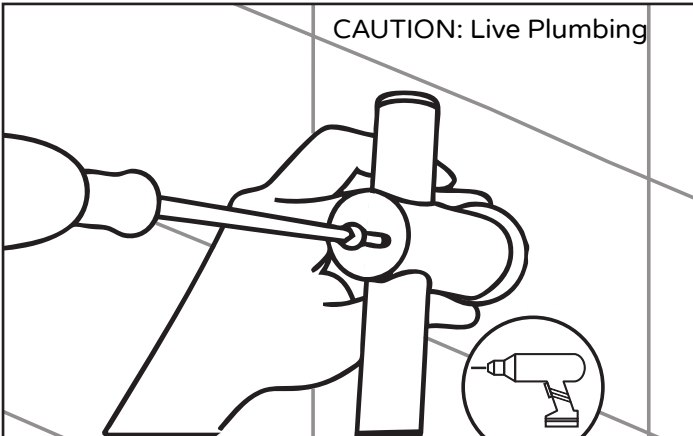
5 Secure set screw. DO NOT OVERTIGHTEN.



6 Hold adjustable slide bar (6) in desired mounting location. Evaluate range of adjustment and potential interference of handshower hose (15). Use level to assure shower pipe is straight.

Installation Instructions

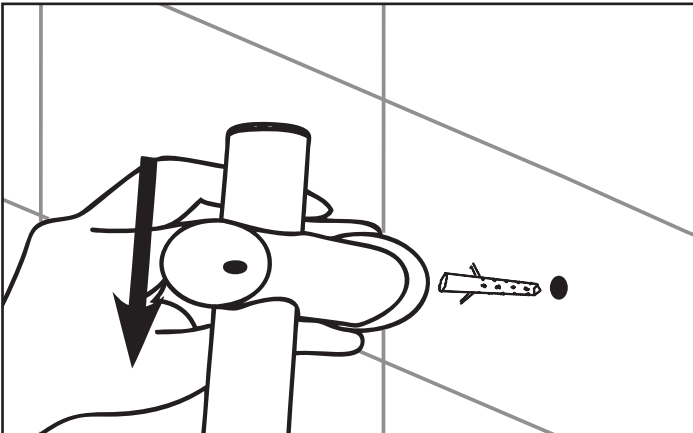
7



Mark wall for two mounting holes. Before drilling ensure no live plumbing can be damaged. Slowly drill 1/4" (6mm) wide by 1" (25mm) deep holes 22 5/8 inches (575mm) apart.

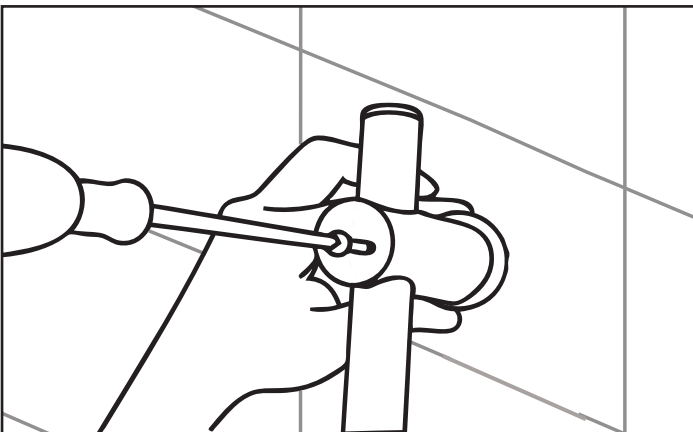
IMPORTANT: Supplied anchors are for solid surfaces only i.e. tiles, marble, etc. If mounting to hollow or fiberglass wall, a different anchor/screw and hole size may be required.

8



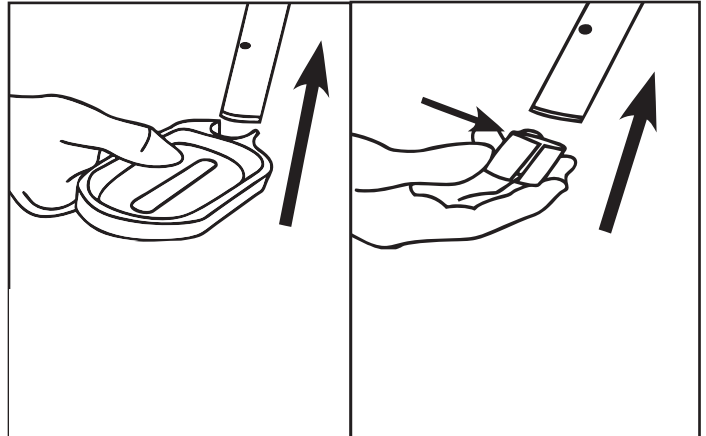
Insert wall anchors (10) until flush with wall. Slide top mount (7) over slide bar.

9



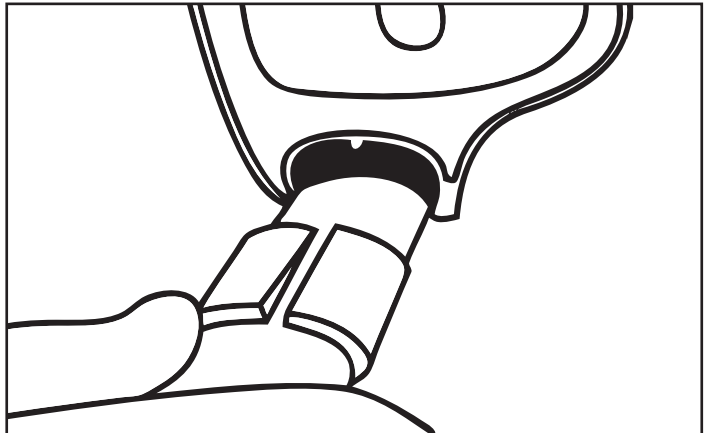
Use screw driver to secure screw (8).

10



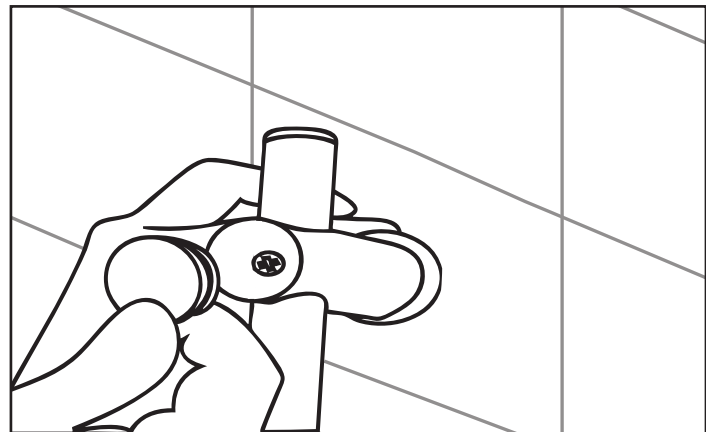
Slide ABS soap dish (12) onto slide bar followed by narrow end of tapered nylon sleeve (11).

11



Align tab on soap dish with slot on sleeve and push soap dish down until flush. Slide lower mount (7) over slide bar and secure set screw (8).

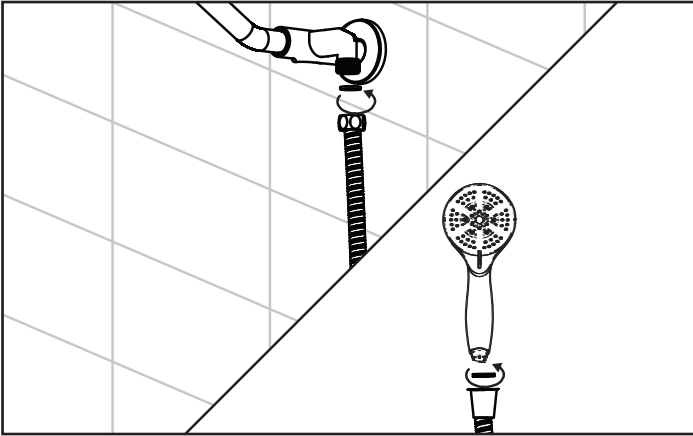
12



Press covers (9) onto mounts (7).

Installation Instructions

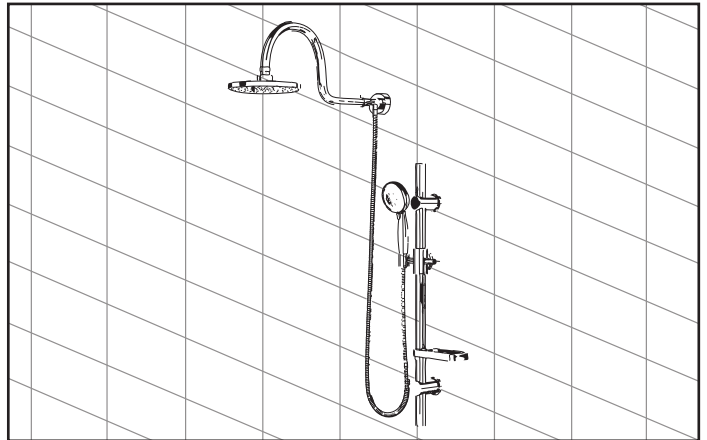
13



Place washer (2) in hex end of hose (15) and connect to diverter outlet.
Place washer (2) in tapered end of hose and connect handshower (13).
Place handshower onto holder.

Insert rubber washer (2) in showerhead (1) and secure showerhead (1) to shower arm (3).

14



Product fully assembled.

8" Showerhead



Provides a drenching, gentle cascade of water.
Diverter located on shower arm.

5-Function Handshower



Pulsating massage, wide and massage, jet, wide, wide and bubble.
Adjust height along slide bar.

Soap Dish & Slide Bar



Height of soap dish can be adjusted along slide bar.

Flexible Slide Bar Installation



Place slide bar at desired height and position.

Usage

Diverter control switches from the shower head and handshower functionality.

Turn face of hand shower to switch settings.

Adjust the hand shower position by loosening the hand shower hanger and sliding up or down.

Always turn cold water on first to help prevent any accidental burning or scalding; especially for children and elderly.

DO NOT use any part of the Shower System as a support device.

Care and Maintenance

To keep your Shower System looking new, wipe down after each use with a soft cotton cloth.

Protect your Shower System from hard water stains and mineral deposits by periodically using an auto spray wax.

Clean using mild liquid soap and a non-abrasive sponge or cloth. Rinse with clean water.

*Do Not Use Any Kind Of
Chemicals Or Abrasives!*

MANUFACTURER'S LIFETIME LIMITED WARRANTY

1. Defects Covered; Warranty Period. Pulse Shower Spas, Inc. ("Pulse") warrants to the original consumer purchaser who purchases this shower spa (the "Product") for use in his or her own home, that the Product will be free from defects in material and manufacturing workmanship for as long as the original consumer purchaser owns that same home. For all other purchasers (including, but not limited to purchasers for industrial, commercial and business use), the above warranty will apply for a period of 5 years from the original date of purchase.

2. Remedy. If the Product does not conform to the above warranty, Pulse, at its option, will repair or replace the Product, free of charge, or refund your purchase price. For warranty claims, please visit www.pulshowerspas.com/index.php/warranty. Pulse may require that you return the Product to Pulse, shipping prepaid, in which case Pulse will provide you with a return materials authorization number (RMA). Pulse may also require that you provide evidence of the date you purchased the Product. Pulse will ship a new or repaired Product to you, at the expense of Pulse, or refund your purchase price. Service labor performed by you or others in connection with the removal or replacement of the Product will not be reimbursed by Pulse.

3. Exclusions. Pulse shall not be responsible for failure of the Product, and the above warranties will not apply, if the Product fails as a result of improper installation, improper use, modifications or repairs by anyone other than Pulse, or accident or abuse (including damage during shipment).

4. Warranty on Repairs and Replacements. For consumer purchasers who purchased the Product for home use, repaired or replacement Products will continue to be covered under this warranty for as long as he or she owns that same home. For other purchasers, repaired or replacement Products will be covered for the balance of the original warranty period.

5. No Other Warranties; Limitation of Liability. OTHER THAN THE LIFETIME LIMITED WARRANTY STATED ABOVE, PULSE DISCLAIMS ALL OTHER WARRANTIES, EXPRESS OR IMPLIED, INCLUDING BUT NOT LIMITED TO WARRANTIES OF MERCHANTABILITY AND FITNESS FOR A PARTICULAR PURPOSE, TO THE EXTENT PERMITTED BY APPLICABLE LAW. THE REMEDIES STATED ABOVE ARE YOUR SOLE REMEDIES IN CONNECTION WITH THIS WARRANTY. IN NO EVENT WILL PULSE BE LIABLE TO YOU FOR ANY DAMAGES, WHETHER DIRECT, INDIRECT, INCIDENTAL, SPECIAL OR CONSEQUENTIAL, INCLUDING BUT NOT LIMITED TO LOST PROFITS OR BUSINESS INTERRUPTION, ARISING OUT OF OR RELATING TO THE PRODUCT OR ITS USE, WHETHER UNDER A CONTRACT, WARRANTY, TORT, OR ANY OTHER CAUSE OF ACTION, EVEN IF PULSE HAS BEEN ADVISED OF THE POSSIBILITY OF SUCH DAMAGES. NOTWITHSTANDING THE TERM OF ANY LIMITED OR IMPLIED WARRANTY, OR IN THE EVENT THAT ANY LIMITED WARRANTY FAILS OF ITS ESSENTIAL PURPOSE, IN NO EVENT WILL PULSE'S ENTIRE LIABILITY EXCEED THE PURCHASE PRICE OF THE PRODUCT. SOME STATES AND PROVINCES DO NOT ALLOW THE EXCLUSION OR LIMITATION OF INCIDENTAL OR CONSEQUENTIAL DAMAGES SO THE ABOVE LIMITATIONS OR EXCLUSIONS MAY NOT APPLY TO YOU. THIS LIMITED WARRANTY GIVES YOU SPECIFIC LEGAL RIGHTS, AND YOU MAY ALSO HAVE OTHER RIGHTS WHICH VARY FROM STATE TO STATE AND PROVINCE TO PROVINCE.

NOTES

