



Kihei II ShowerSpa
Model #1013-GL

PW-91013-4825SL

Owner's Manual



Please Read The Following Instructions COMPLETELY Before Beginning!

Our goal is to ensure your installation goes smoothly and safely. Please read these instructions carefully and follow recommendations for plumbing and mounting. After reading instructions, if you determine you do not have the necessary skills and/or tools, we recommend that a licensed plumbing contractor complete the installation.

If you encounter any problems during installation
PLEASE VISIT CUSTOMER SUPPORT AT
WWW.PULSESHOWERSPAS.COM
Before returning your ShowerSpa to the store

You Will Need The Following Tools

Soft pencil or felt pen to mark tile

Phillips screwdriver

Safety glasses

Tape measure

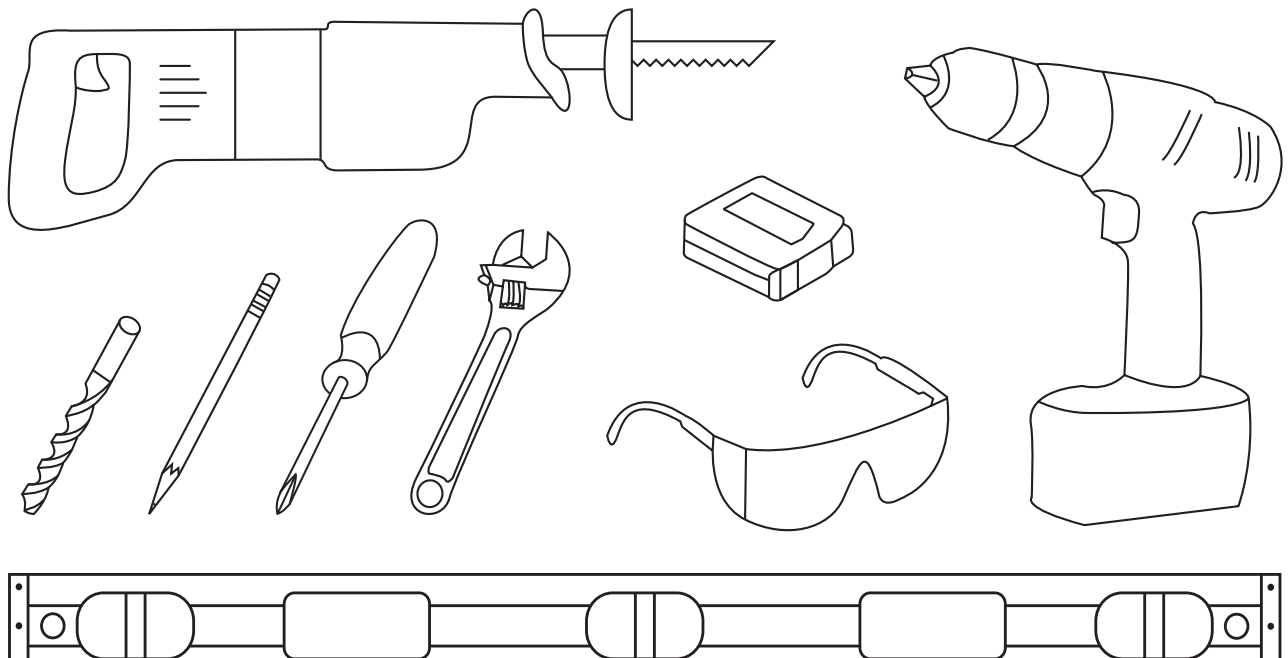
Level

Reciprocating saw w/metal cutting blade (Sawzall®)

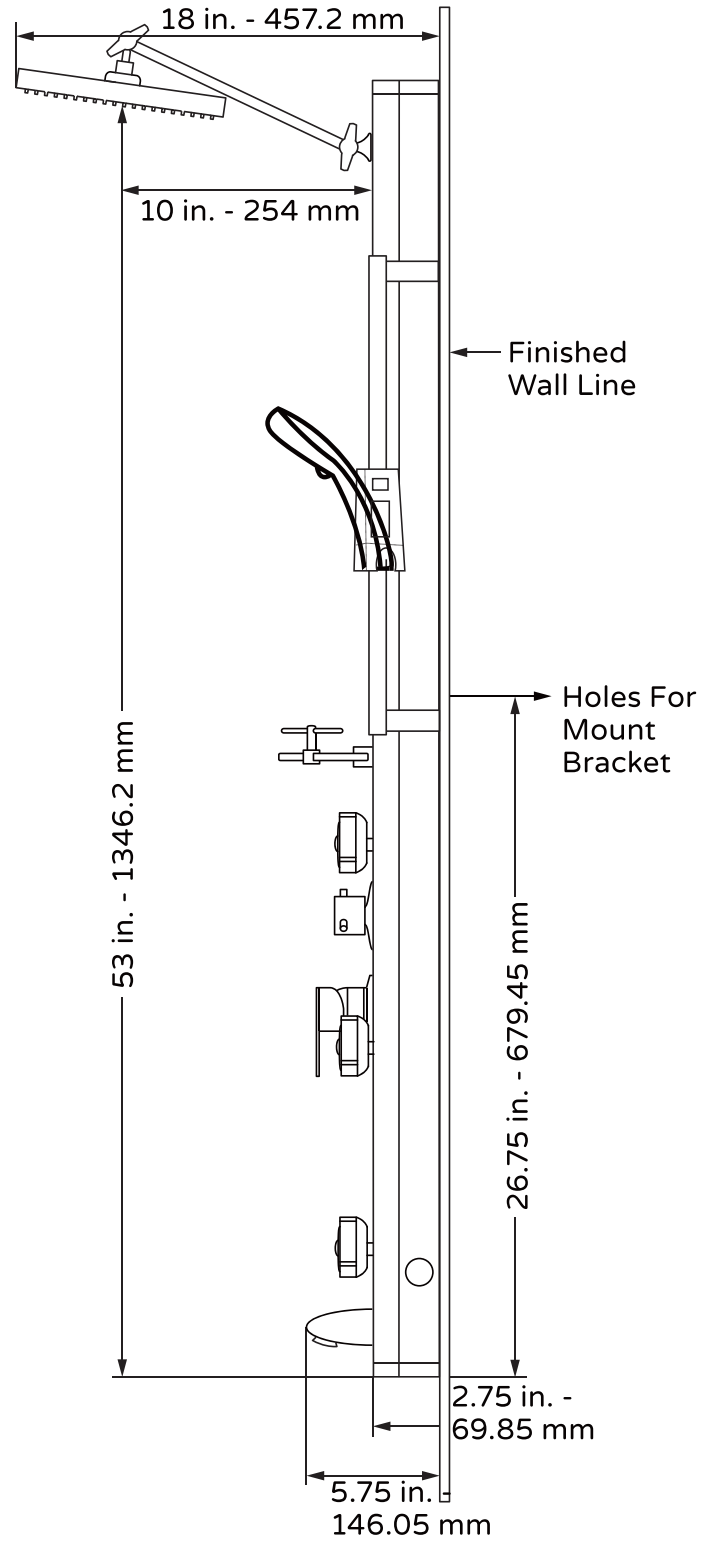
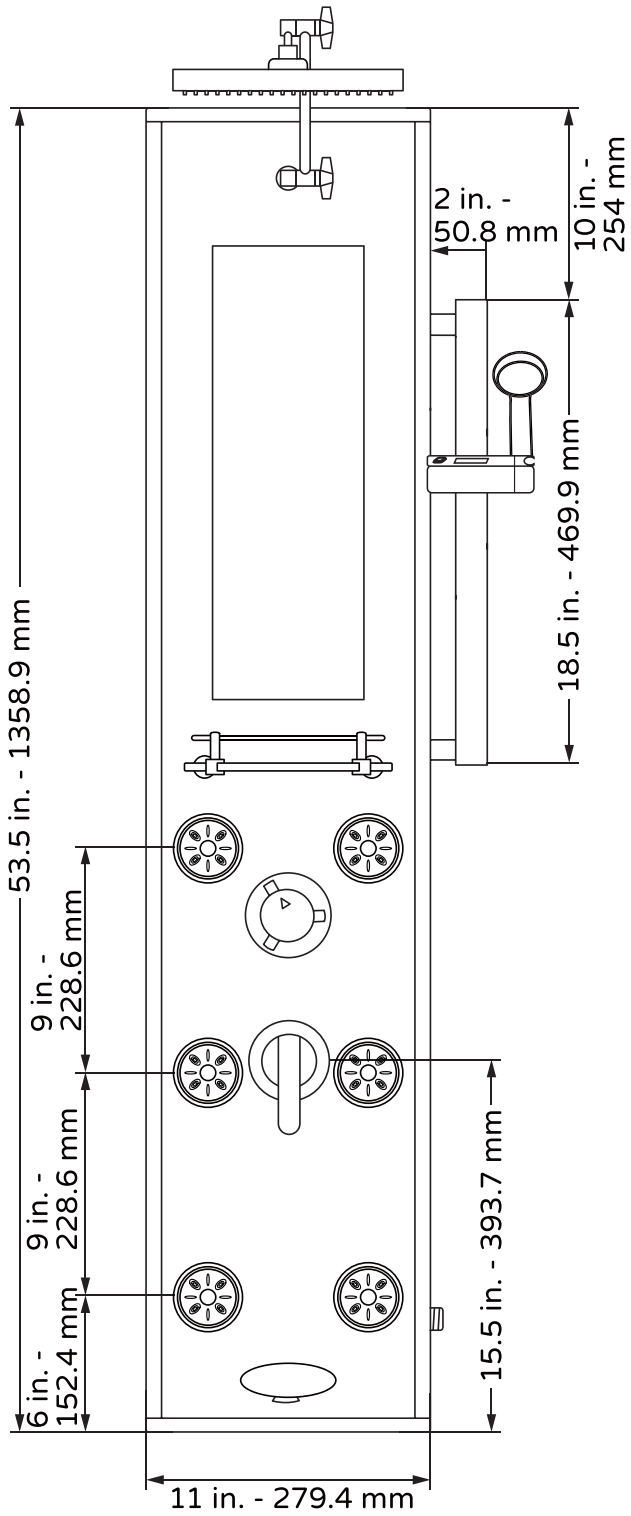
Channel locks or adjustable wrench

Drill (Preferably cordless)

¼" Masonry drill bit

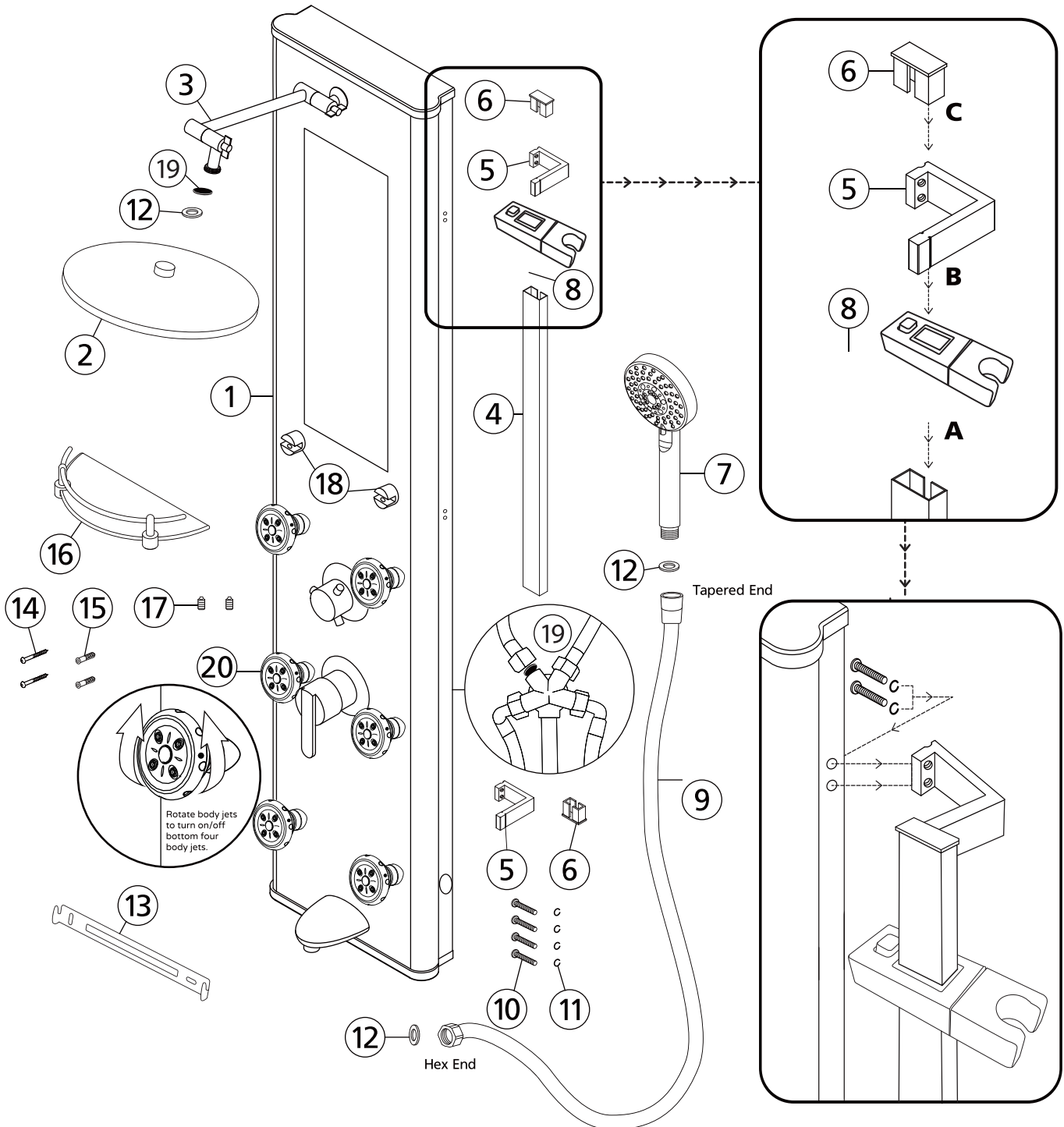


Product Dimensions



Parts Legend

- | | | |
|-------------------------------|----------------------------|--------------------------------|
| 1. ShowerSpa | 8. Hand Shower Holder | 15. Nylon Anchor.....(2) |
| 2. Showerhead | 9. Hand Shower Hose | 16. Glass Shelf |
| 3. Shower Arm | 10. Machine Screw.....(4) | 17. Shelf Set Screw(2) |
| 4. Slide Bar | 11. Lock Washer(4) | 18. Shelf Mounts.....(2) |
| 5. Slide Bar Bracket(2) | 12. Rubber Washer(3) | 19. 2.5gpm restrictor(3) |
| 6. Slide Bar Cap.....(2) | 13. Mount Bracket | 20. Body Jets |
| 7. Hand Shower | 14. Mounting Screw.....(2) | |



ShowerSpa Assembly

Some Assembly is Required Prior to Installation.

Slide Bar Assembly Refer to exploded line drawing for reference.

1. Hold slide bar (4) with grooves facing away from you. Press button on hand shower holder (8) and place onto slide bar (4) with holder facing you and button on top.
2. With slide bar (4) facing you, align grooves on bracket (5) with grooves on back of slide bar (4). Screw holes on bracket (5) should extend to left side of bar. Insert bracket (5) until flush with opening. Push cap (6) into slide bar (4) opening. Repeat for other end.
3. Align assembled slide bar with pre-drilled holes on right side of ShowerSpa. Secure with machine screws (10) and lock washers (11).

After ShowerSpa is Mounted to Wall

Attach Handshower and Hose

1. Insert rubber washer (12) into hexagon shaped end of hand shower hose (9) and attach to threaded outlet on the right side of ShowerSpa. DO NOT OVER-TIGHTEN.
2. Insert rubber washer (12) into tapered end of hand shower hose (9) and attach to hand shower (7). DO NOT OVER-TIGHTEN. Insert hand shower (7) into holder on slide bar (4).

Attach Showerhead

3. Insert rubber washer (12) into showerhead (2) and hand tighten onto the shower arm (3).
4. Insert set screws (17) on the under side of shelf mounts (18). Position glass shelf (16) into shelf mounts (18) and hold in place. Gently tighten set screws until shelf is secure and does not slip out. DO NOT OVER-TIGHTEN SCREWS.

Installation

New Construction or Extensive Remodel—New Finished Wall Surface

1. Prior to sheetrock, stub-out ½" hot and cold supply lines beyond finished wall surface, 4" on center. For best results, attach 90° brass fittings (available at most hardware stores) to the stub-outs maintaining ¼" – ½" of space between the fitting and finished wall. The open end of the 90° brass fittings should point down so the supply lines attach parallel to the wall.¹
2. For a person 5'8" – 6'2" we recommend the stub-outs be 37" above finished floor.²
3. Before installation, make certain that water is completely turned off to both hot & cold supply lines of shower.
4. Mark location of holes for the mount, making sure holes are level. For a person 5'8" – 6'2", we recommend placing holes for the mount at 53½" above finished floor.³
5. Before drilling holes, make certain that connecting to stub-outs does not interfere with backside of ShowerSpa and it is flush with finished wall at desired mounting height.²
6. Drill ¼" holes through wall surface using a masonry bit. Drill slowly through wall surface to avoid cracking and chipping. Insert anchors and securely screw brackets to wall. Before connecting hot and cold supply lines, hang the ShowerSpa on wall, check the height and make sure the ShowerSpa is flush against wall with a secure fit.
7. Connect hot and cold water supply lines to stub-outs—do not overtighten. Before mounting the ShowerSpa, check fittings to make sure they are secure. Turn on water and check for leaks. When fittings are leak-free, mount ShowerSpa on wall.
8. OPTIONAL—Seal around body of ShowerSpa with a bead of silicone. DO NOT SEAL BOTTOM.

Retrofit—Existing Shower Replacement

NOTE—In a remodel in which you are not replacing the finished wall surface (tile, or backing material) it is advisable to purchase a PULSE ShowerSpa model that covers the location of your existing valve assembly—either single handle or two-handle type. If your PULSE ShowerSpa model does not cover this area, you will need to either choose another PULSE ShowerSpa model that does or make necessary repairs with appropriate materials (i.e. wallboard, tile, fiberglass, etc).

1. TURN OFF WATER SUPPLY TO SHOWER. Typically there is a gate valve where the water main enters the house. Turning the water valve off at hot water tank does not turn off cold water supply line.
2. Make certain water is completely turned off to both hot & cold supply lines of shower. Turn shower valve on, both hot and cold, to verify water supply is OFF. Open a sink faucet in the bathroom in which you are installing the ShowerSpa to relieve any pressure and help adequately drain shower supply lines.
3. Remove handle(s) and trim cover(s) of your existing shower valve, exposing valve body in wall.
4. Locate hot and cold supply lines entering valve. Using a reciprocating saw with sharp metal saw blade, cut existing valve out, preserving threads of the supply lines entering valve. You should also cut the riser within wall supplying the existing showerhead. Carefully twist and remove valve.
5. Unscrew old showerhead from shower arm, then unscrew shower arm from wall.
6. Water lines must be extended to the outside of wall cavity, 4" on center. For best results, attach 90° brass fittings (available at most hardware stores) to the stub-outs maintaining ¼" – ½" of space between the fitting and finished wall. The open end of the 90° brass fittings should point down so the supply lines attach parallel to the wall.¹
7. Mark location of holes for the mount, making sure holes are level. For a person 5'8" – 6'2", we recommend placing holes for the mount at 57" above finished floor.³
8. Before drilling holes, make certain that connecting to stub-outs does not interfere with backside of ShowerSpa and it is flush with finished wall at desired mounting height.²
9. Drill ¼" holes through wall surface using a masonry bit. Drill slowly through wall surface to avoid cracking and chipping. Insert anchors and securely screw brackets to wall. Before connecting hot and cold supply lines, hang ShowerSpa on wall, check the height and make sure ShowerSpa is flush against the wall with a secure fit.
10. Connect hot and cold water supply lines to stub-outs—do not overtighten. Before mounting the ShowerSpa, check fittings to make sure they are secure. Turn on water and check for leaks. When fittings are leak-free, mount ShowerSpa on wall.
11. OPTIONAL—Seal around body of ShowerSpa with a bead of silicone. DO NOT SEAL BOTTOM.¹ Additional fittings or longer supply lines may be necessary depending on your specific situation.

² The desired mounting height of ShowerSpa determines, or is determined by location of the ½" stub-outs.

³ The mounting height can vary depending on several factors (i.e. location of supply lines, interference from ShowerSpa plumbing, old valve access area, personal preference, etc.)

Usage

Pressure Balance Mixing Valve

This ShowerSpa is equipped with a cUPC® pressure balance mixing valve to adjust water flow and temperature. The valve automatically adjusts to changes in water pressure (i.e. someone flushes a toilet), keeping your temperature constant and preventing accidental scalding. To turn on the ShowerSpa simply raise the handle until the desired flow rate is achieved. Rotate to the right to decrease temperature and rotate to the left to increase temperature. Be sure that the handle is in the OFF position when you are done using your ShowerSpa so that pressure does not build up inside the unit.

Brass Diverter

The brass diverter is used to change between ShowerSpa functions. Simply rotate the diverter knob either direction to select the desired function—showerhead, hand shower, body jets or tub spout.

Body Jets

This ShowerSpa comes with six body jets. Our new Select-A-Jet™ feature allows you to run between four or six body jets at once. The top two jets are always on but the bottom four jets can be turned off independently, increasing pressure to the remaining jets in use. Simply rotate the face of the jet to select the different functions or turn them off.

Shower Arm

The shower arm on the ShowerSpa has a unique feature that allows you to change the height and angle of the showerhead. The wingnut closest to the panel adjusts the height and the wingnut closest to the showerhead adjusts the angle. Loosen one of the two wingnuts, reposition the showerhead and retighten the wingnut.

Handshower

The handshower has three individual functions and two combo functions. Rotate the head of the handshower left or right to change between the power spray, pulsating massage or gentle cascade functions. To adjust angle of hand shower gently rotate toward you or toward the wall. For vertical adjustment simply depress the button and slide holder up or down.

Care and Maintenance

Always blot dry any water from the surface of your ShowerSpa. To protect your ShowerSpa from hard water stains and mineral deposits, use an auto spray wax periodically and wipe down your ShowerSpa after each use. Allowing water to evaporate on the surface can lead to a buildup of mineral deposits. Cleaning with a damp, nonabrasive sponge and drying with a clean soft cloth should help keep your ShowerSpa looking beautiful.

R E M E M B E R

Never use any abrasives or harsh cleaners!

Clean with Mild Soap and Water ONLY!

To keep your ShowerSpa in pristine condition,

Dry after each use.

Manufacturer's Lifetime Limited Warranty

1. Defects Covered; Warranty Period. Pulse Shower Spas, Inc. ("Pulse") warrants to the original consumer purchaser who purchases this shower spa (the "Product") for use in his or her own home, that the Product will be free from defects in material and manufacturing workmanship for as long as the original consumer purchaser owns that same home. For all other purchasers (including, but not limited to purchasers for industrial, commercial and business use), the above warranty will apply for a period of 5 years from the original date of purchase.

2. Remedy. If the Product does not conform to the above warranty, Pulse, at its option, will repair or replace the Product, free of charge, or refund your purchase price. For warranty claims, please visit www.pulshower spas.com/index.php/warranty. Pulse may require that you return the Product to Pulse, shipping prepaid, in which case Pulse will provide you with a return materials authorization number (RMA). Pulse may also require that you provide evidence of the date you purchased the Product. Pulse will ship a new or repaired Product to you, at the expense of Pulse, or refund your purchase price. Service labor performed by you or others in connection with the removal or replacement of the Product will not be reimbursed by Pulse.

3. Exclusions. Pulse shall not be responsible for failure of the Product, and the above warranties will not apply, if the Product fails as a result of improper installation, improper use, modifications or repairs by anyone other than Pulse, or accident or abuse (including damage during shipment).

4. Warranty on Repairs and Replacements. For consumer purchasers who purchased the Product for home use, repaired or replacement Products will continue to be covered under this warranty for as long as he or she owns that same home. For other purchasers, repaired or replacement Products will be covered for the balance of the original warranty period.

5. No Other Warranties; Limitation of Liability. OTHER THAN THE LIFETIME LIMITED WARRANTY STATED ABOVE, PULSE DISCLAIMS ALL OTHER WARRANTIES, EXPRESS OR IMPLIED, INCLUDING BUT NOT LIMITED TO WARRANTIES OF MERCHANTABILITY AND FITNESS FOR A PARTICULAR PURPOSE, TO THE EXTENT PERMITTED BY APPLICABLE LAW. THE REMEDIES STATED ABOVE ARE YOUR SOLE REMEDIES IN CONNECTION WITH THIS WARRANTY. IN NO EVENT WILL PULSE BE LIABLE TO YOU FOR ANY DAMAGES, WHETHER DIRECT, INDIRECT, INCIDENTAL, SPECIAL OR CONSEQUENTIAL, INCLUDING BUT NOT LIMITED TO LOST PROFITS OR BUSINESS INTERRUPTION, ARISING OUT OF OR RELATING TO THE PRODUCT OR ITS USE, WHETHER UNDER A CONTRACT, WARRANTY, TORT, OR ANY OTHER CAUSE OF ACTION, EVEN IF PULSE HAS BEEN ADVISED OF THE POSSIBILITY OF SUCH DAMAGES. NOTWITHSTANDING THE TERM OF ANY LIMITED OR IMPLIED WARRANTY, OR IN THE EVENT THAT ANY LIMITED WARRANTY FAILS OF ITS ESSENTIAL PURPOSE, IN NO EVENT WILL PULSE'S ENTIRE LIABILITY EXCEED THE PURCHASE PRICE OF THE PRODUCT. SOME STATES AND PROVINCES DO NOT ALLOW THE EXCLUSION OR LIMITATION OF INCIDENTAL OR CONSEQUENTIAL DAMAGES SO THE ABOVE LIMITATIONS OR EXCLUSIONS MAY NOT APPLY TO YOU. THIS LIMITED WARRANTY GIVES YOU SPECIFIC LEGAL RIGHTS, AND YOU MAY ALSO HAVE OTHER RIGHTS WHICH VARY FROM STATE TO STATE AND PROVINCE TO PROVINCE.

