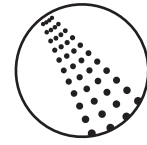


ErgoSeat

4004-SSP & 4004-SSB



PULSE

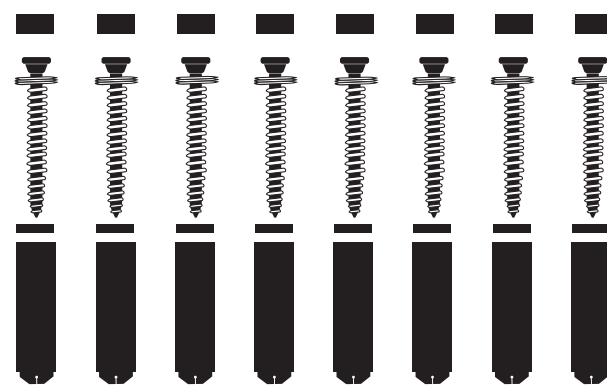
SHOWER SPAS

Toll Free: 888.785.7320

www.PulseShowerSpas.com



PARTS



INSTALLATION QUESTIONS?

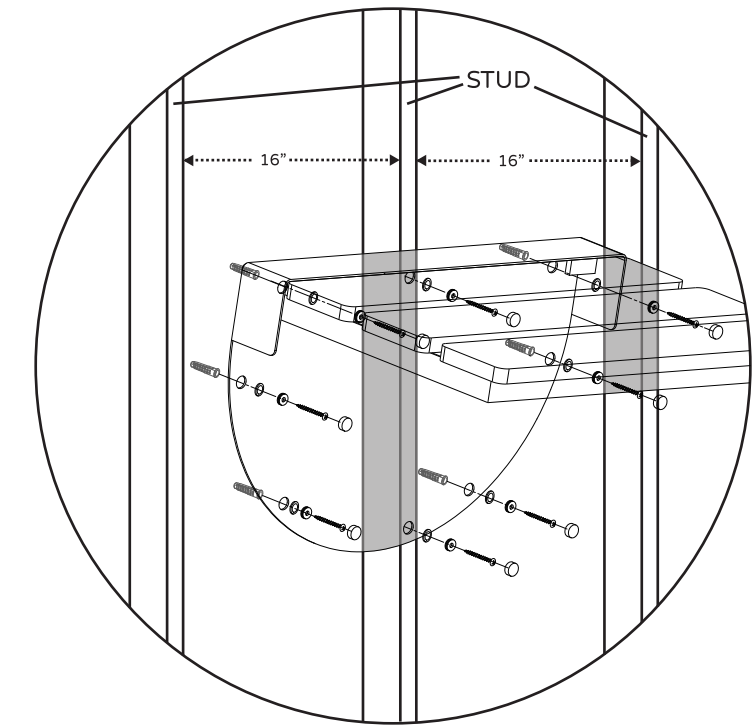
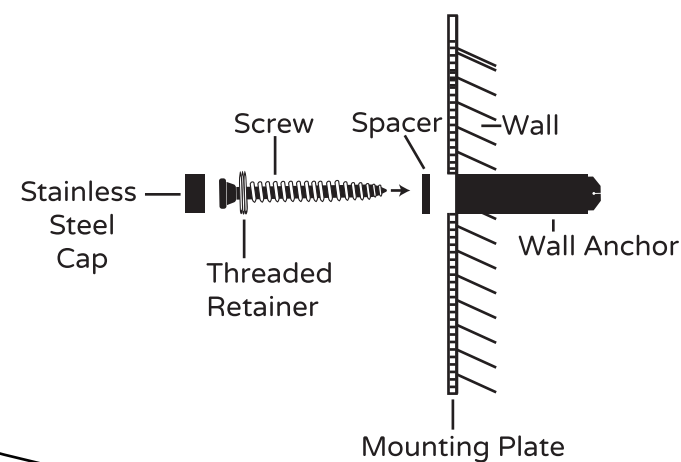
Before returning your ErgoSeat to the store, if you have any questions about installation or missing parts please visit our CUSTOMER CARE page at www.PulseShowerSpas.com. We are here to help you.

INSTALLATION INSTRUCTIONS

1. Using scissors, trace the dotted line to cut out the installation template.
2. Place ErgoSeat on top of trimmed template. Align ErgoSeat and template. Using a pen, trace the ErgoSeat holes on the template and mark the center of each.
3. Position template on desired location and secure with tape (not included).

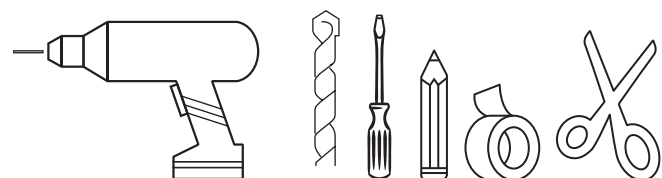
CAUTION: LIVE PLUMBING

4. Drill through tile (only) with a 3/16" diameter masonry or ceramic tile drill bit and then change to 3/8" drill bit to complete.
5. Insert wall anchors. If wood backing screws direct into place.
6. Place ErgoSeat on drilled holes, insert spacers into ErgoSeat holes, slide threaded retainer through provided screws and secure.
7. Place stainless-steel caps over screws.



*NOTE: We recommend you try to locate at least one stud to secure ErgoSeat (if possible). Align top and bottom screw to secure into stud.

TOOLS REQUIRED



WARRANTY

Please visit www.PulseShowerSpas.com for our Manufacturer's Lifetime Limited Warranty information.

IMPORTANT

Check local code for proper placement of ErgoSeat to meet requirement such as ADA or ANSI 117.1 Consumer Safety Requirements.

IF WALL ANCHOR NOT USED, ERGOSEAT MUST BE MOUNTED THROUGH SHOWER WALL AND SCREWED DIRECTLY TO WOOD OR METAL STUD.