



PULSE

SHOWERSPAS

Installation Instructions
Splash Rain Shower System
Model # 1020



Invigorate. Decorate. Rejuvenate.

Congratulations on your purchase of a Splash PULSE Showerspa. We take great pride in the styling, quality and workmanship of this product. With proper installation and care, your Showerspa will give you a showering experience like never before. Get ready to start your day in a whole new way and **FEEL THE PULSE!**

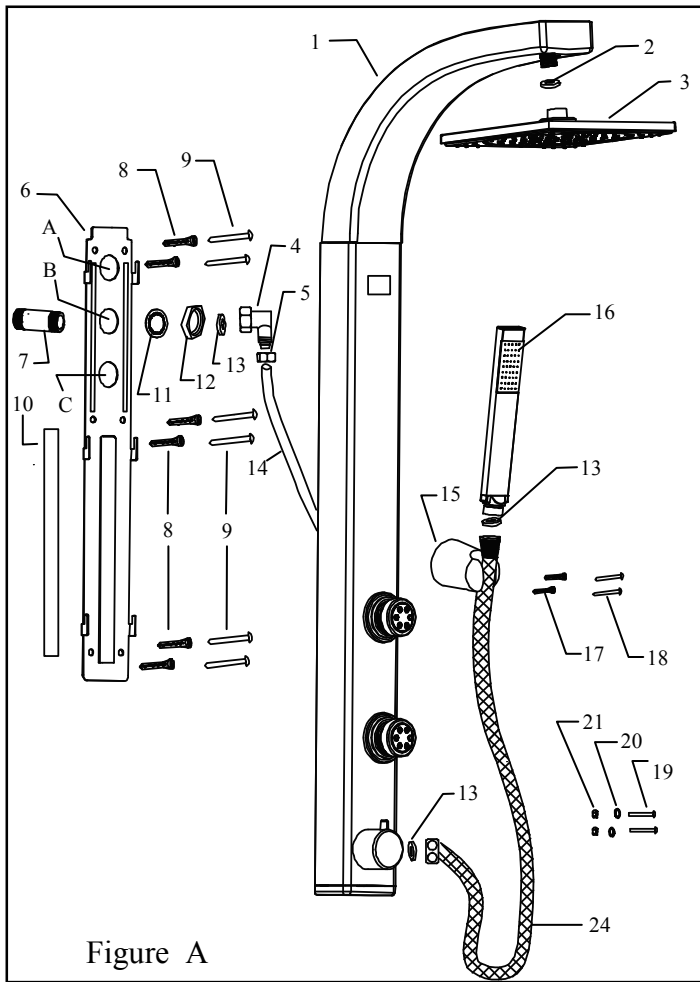


Figure A

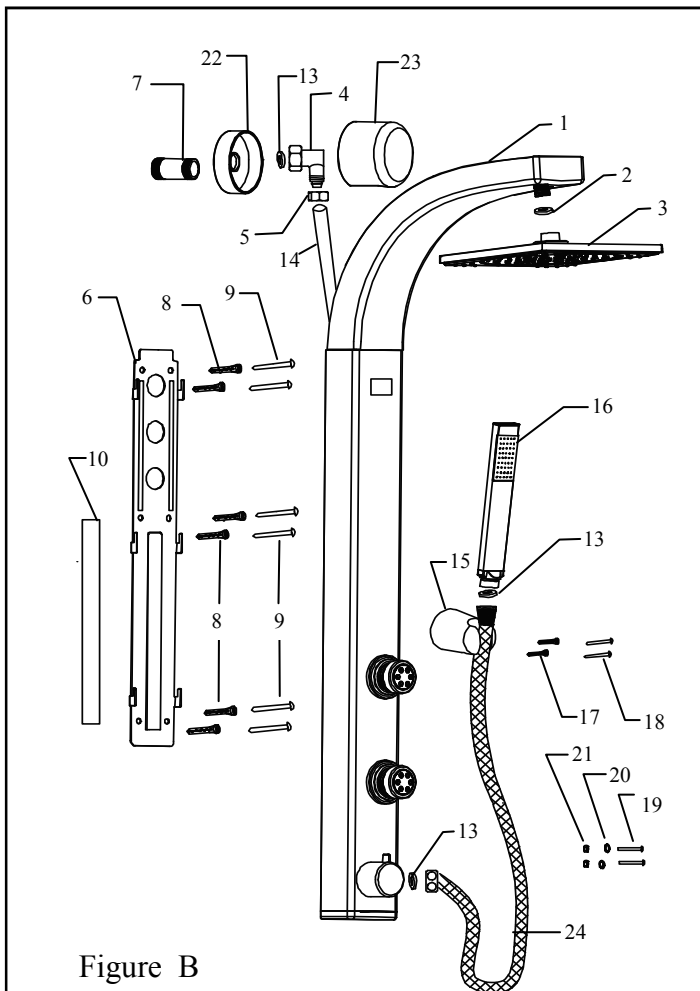
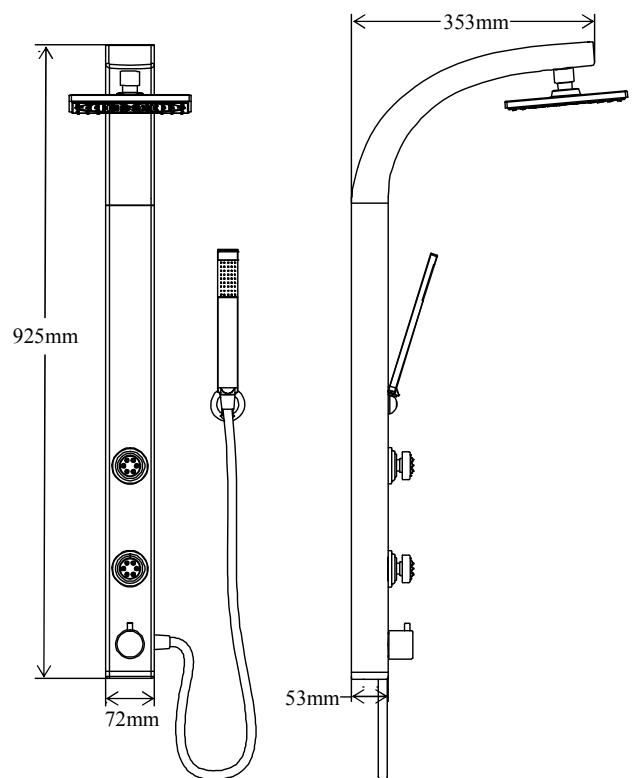


Figure B

No.	Description	Qty.
1.	Splash Showerspa	1
2.	6mm rubber washer	1
3.	Shower head	1
4.	90 degree fitting	1
5.	Compression nut	1
6.	Mounting plate	1
7.	½ X 2½ inch brass nipple	1
8.	Mushroom head wall anchor	6
9.	1in. (25.5 mm) Nail insert	6
10.	Two faced tape	1
11.	Retaining washer	1
12.	Brass nut	1
13.	Rubber Washer 2mm	3
14.	Supply line	1
15.	Handshower mount	1
16.	Handshower	1
17.	Nylon wall anchor	2
18.	1½ (40mm) Philips coarse thread screw	2
19.	1¾ (36mm) machine	2
20.	Non slip washer	2
21.	4mm Nut	2
22.	Escutcheon base plate (ABS)	1
23.	Escutcheon cover (ABS)	1
24.	Handshower hose	1
25.	Shower arm plug (not shown)	1
26.	Chrome metal escutcheon (not shown)	1



If you encounter any problems during installation call customer service toll free at 888-785-7320 before returning item to store.

Tools Needed: Cordless Drill, 3/16in.(5mm) tile/masonry bit, ¼ in.(7mm) drill bit, hammer, adj. wrench, Philips screwdriver and pencil.

1. Insert mounting plate (6) into slots on back of Splash (1). Hold Splash to wall and evaluate preferred mounting location based on shower head and body spray height and existing valve height. The convenient “cut to fit” supply line (14) allows the Splash to be mounted over, below or adjacent to existing shower arm outlet.
2. If mounting over existing outlet, supply line (14) and 90 degree fitting (4) are concealed in body of Splash and drilling wall surface is optional (Fig A). If mounting adjacent to or below existing outlet, supply line (14) and 90 degree fitting (4) are exposed and drilling wall surface is required (Fig B).
3. Remove shower head and any escutcheon (cover) from existing shower arm.
4. Determine length of ½ inch NPT nipple required:
 - a. Place mark on existing shower arm at the wall surface.
 - b. Unscrew shower arm from elbow in wall.
 - c. Measure distance from mark made on shower arm to end of shower arm threads.
 - d. Add ½ inch to this measurement, then round up to nearest ½ inch. (I.e. measurement = 1 ¾ in. + ½ inch = 2¼ in. rounded up to nearest ½ in increment = 2½ inch NPT nipple. This is the minimum length required with maximum length to be + 1 inch. **Note:** *If supplied 2½ in. nipple (7) is not correct length you must obtain the correct size - sold separately. NPT brass nipples are readily available at most hardware stores.*
5. Apply generous amount of Teflon tape and/or pipe sealant to nipple (7) and adequately tighten into elbow in wall ensuring no leaks. **Important:** *Do not damage or mar the final ½ inch of nipple threads protruding from wall.*
6. **Splash mounted over existing outlet (Figure A).**
 - a. Determine which hole in mounting plate (6) will be used; A, B or C. Remove mounting plate from Splash. Push supply line through outlet hole in shower arm and insert shower arm plug (25). Cut the supply line (14) at the predetermined mark depending on hole choice. **Important:** *Supply line must be cut clean and square to ensure no leaks - take your time!*
 - b. Slide compression nut (5) onto supply line (14).
 - c. Push supply line (14) over 90 degree fitting (4) until it bottoms against base of threads.
 - d. Slide compression nut (5) onto to 90 degree fitting (4) and securely tighten
 - e. Remove face of tape (10) from mounting plate (6) and slide plate over nipple (7) through predetermined hole A, B or C. Level plate before adhering to wall.
 - f. Push retaining washer (11) over nipple (7) securing mounting plate (6) to wall and/or use nut (12). **[Optional:** secure mounting plate using supplied wall fasteners. Drill 5mm (3/16in.) wide X 25mm (1in.) deep holes using a masonry/tile drill bit. Insert anchors (8) through plate and carefully hammer nail (9) flush to nylon anchor.]
 - g. Insert washer (13) into 90° fitting (4) and connect to nipple (7). Turn on water and check for leaks. Once leak free carefully slide Splash (1) onto mounting plate (6) and push down to secure.
7. **Splash mounted adjacent or below existing outlet (Figure B).**
 - a. Place escutcheon (22 or 26) onto nipple (7) and attach 90 degree fitting (4).
 - b. Position Splash in desired location ensuring supply line reaches 90 degree fitting (4) and no interference from optional escutcheon cover (23).
 - c. Mark shower wall at top and bottom of mounting plate (6). Remove mounting plate from unit, remove face of tape (10) and adhere plate to wall making sure it is level.
 - d. Using the plate as a guide, drill 5mm (3/16in) holes X 25mm (1in.) deep **CAUTION: Live plumbing behind wall.** Insert anchors (8) through plate and into holes and lightly hammer nail (9) until flush with nylon anchor. **Note:** *anchors provided are for solid surface walls; if fiberglass walls are present, different type anchors must be used – not included.*
 - e. Place Splash (1) on mounting plate (6) and accurately mark supply line (14) for cutting. Cut square and clean!
 - f. Follow steps 6b – 6d above.
 - g. Install escutcheon; either (22) or (26), insert washer (3) into 90° fitting (4) and connect to nipple (7). Turn on water and check for leaks. Once leak free carefully slide Splash (1) onto mounting plate (6) and push down to secure.
8. Handshower mount (15) can be attached to side of Splash (1) or secured to wall.
 - a. If mounting to side of Splash (1), drill 5mm holes through side of Splash (1) and use screws (19) and washer (20) and nut (21) to secure. **Caution:** do not damage internal supply hoses.
 - b. If mounting to wall use 7mm masonry/tile drill bit and nylon anchors (17) and screws (18).
9. Insert washer (2) into showerhead (3) and attach to Splash (1). Insert washer (13) into each end of shower hose (24) and secure hex head to Splash (1) and cone shape end to handshower (16).



PULSE

SHOWERSPAS

Manufacturer's Limited Warranty

PULSE Showerspans, Inc. warrants that all Showerspans are free from defect in workmanship and/or materials for a period of three years from the date of purchase. This warranty extends to the original purchaser only and is non-transferable.

This warranty does not cover, and PULSE Showerspans will not pay for conditions, malfunctions or damages resulting from (1) normal wear and tear, improper installation, whether performed by a contractor, service company or the consumer, improper maintenance, misuse, abuse, negligence, accident or alteration; (2) the use of abrasive and/or caustic cleaning agents or "no-rinse" cleaning products or the use of the product in any manner contrary to the product instruction; or (3) conditions in the home such as excessive water pressure or corrosion.

Should any Showerspa be determined by PULSE Showerspans, Inc. to be defective in normal residential use, at the option of PULSE Showerspans, Inc., such product shall either be replaced or repaired and returned to the customer free of defects. The consumer shall give notice of any defects to PULSE Showerspans, Inc. within thirty days of discovery of such defect.

Proof of purchase (original sales receipt) must be provided to PULSE Showerspans, Inc. with all warranty claims. PULSE Showerspans, Inc. is not responsible for labor charges, removal charges, installation or other consequential costs. In no event shall the liability of PULSE Showerspans, Inc. exceed the purchase price of the Showerspa.

Some states/provinces do not allow limitations of how long an implied warranty lasts or the exclusion or limitation of such damages, so these limitations and exclusions may not apply to you. This warranty gives the consumer specific legal rights. You may also have other rights that vary from state/province to state/province.

Follow manufacturers recommended installation. Use caution with children under ten years of age. Do not use Showerspa as a support device. Do not use harsh chemicals or abrasives when cleaning. Turn water supply off when servicing Showerspa.

*PULSE Showerspans, Inc. ♦ 49-A Hangar Way Watsonville, CA 95076 ♦ U.S.A.
Tel: 831-724-7300 ♦ Fax: 831-724-7390 ♦ Toll Free: 888-785-7320
Email: info@pulseshowerspans.com ♦ website: www.pulseshowerspans.com*