

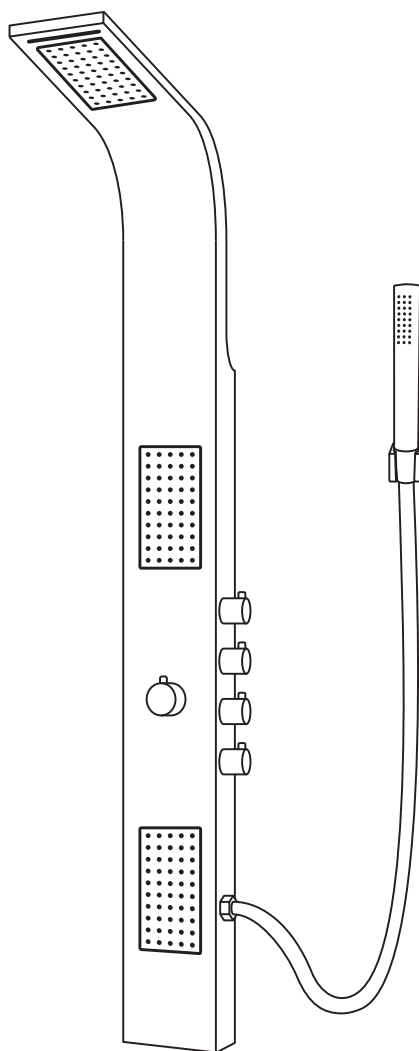
SANTA CRUZ



PULSE

SHOWERSPAS

Santa Cruz Showerspa
Model #1033
Installation Instructions



Santa Cruz ShowerSpa Model #1033

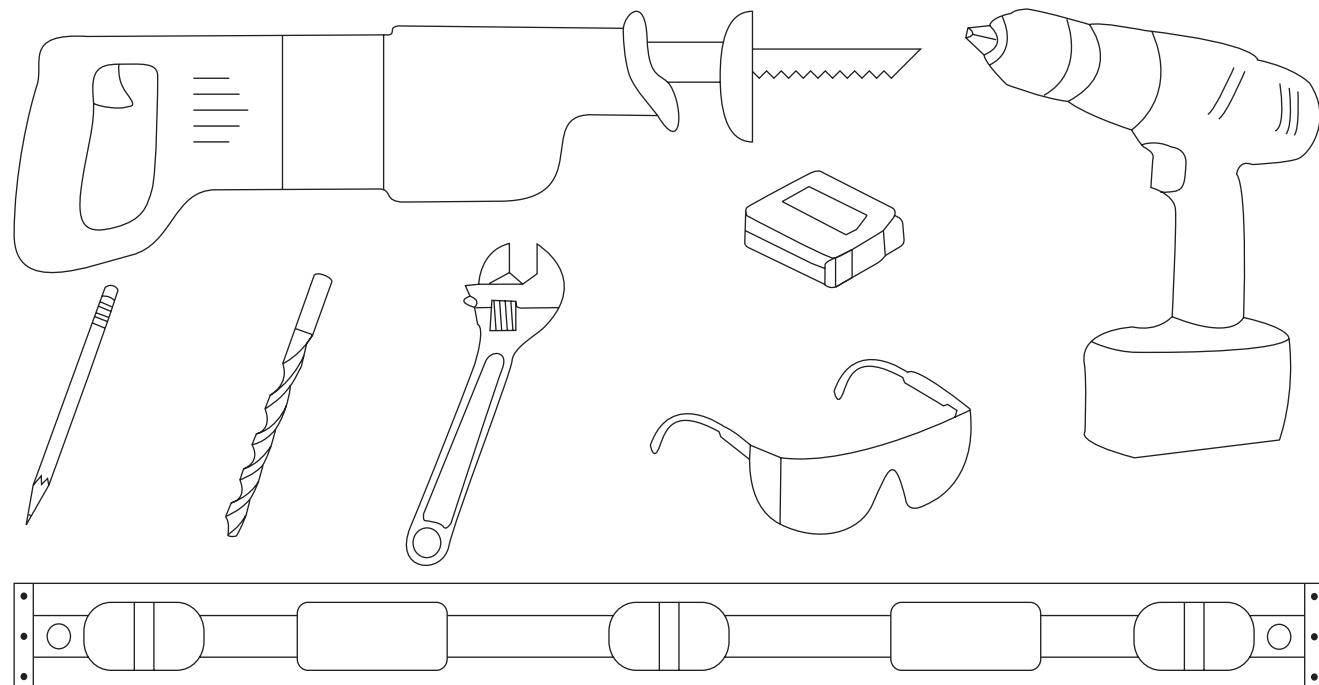
Please Read The Following Instructions COMPLETELY Before Beginning!

Our goal is to ensure your installation goes smoothly and safely. Please read these instructions carefully and follow recommendations for plumbing and mounting. **After reading instructions, if you determine you do not have the necessary skills and/or tools, we recommend that a licensed plumbing contractor complete the installation.**

**If you encounter any problems during installation
CALL TECHNICAL SUPPORT
TOLL FREE at 888-785-7320
Before returning your ShowerSpa to the store**

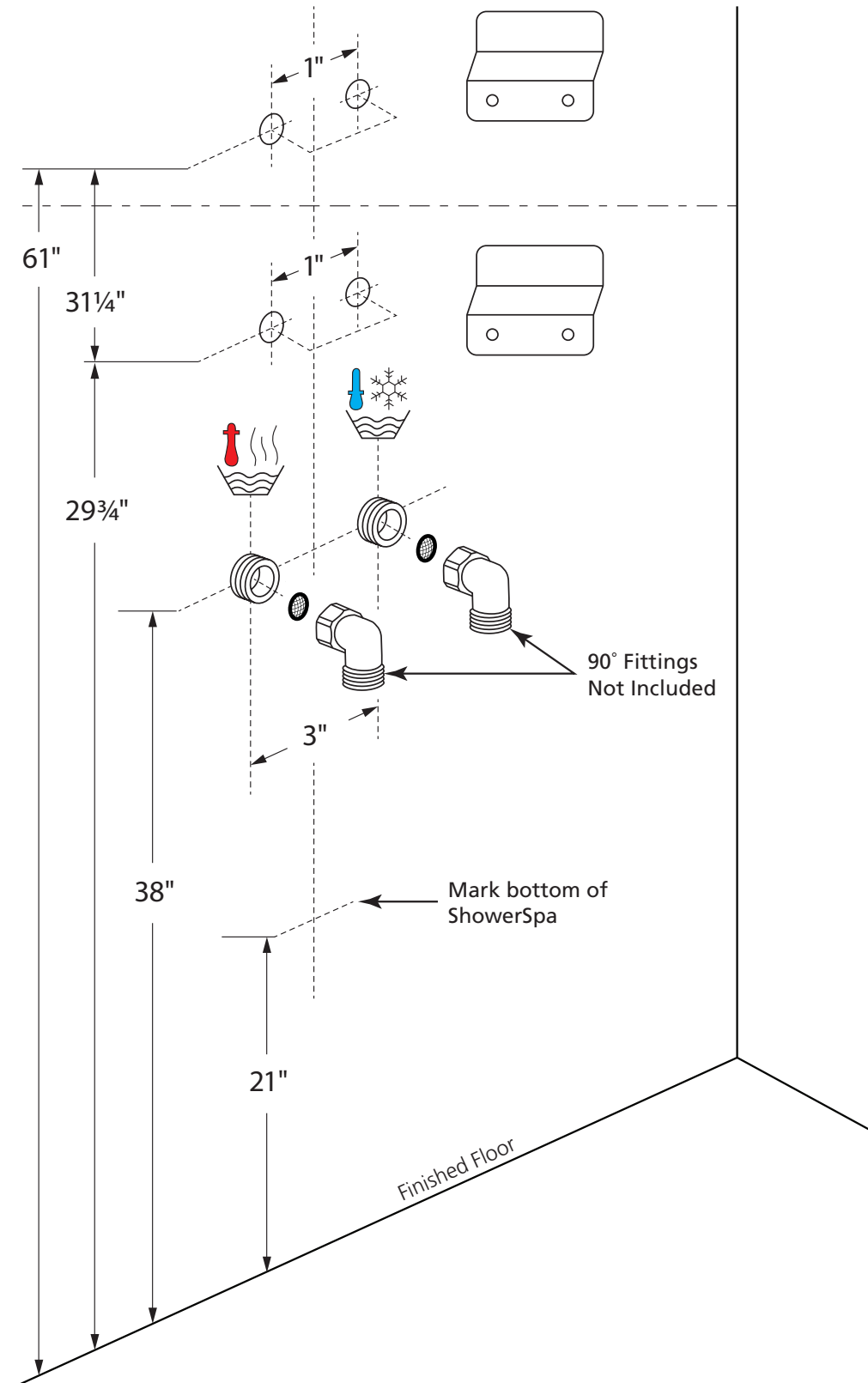
You Will Need The Following Tools

- | | |
|--------------------------------------|---|
| Soft pencil or felt pen to mark tile | Reciprocating saw w/ metal cutting blade (Sawzall®) |
| Safety glasses | Channel locks or adjustable wrench |
| Tape measure | Drill (Preferably cordless) |
| Level | 1/4" Masonry drill bit |



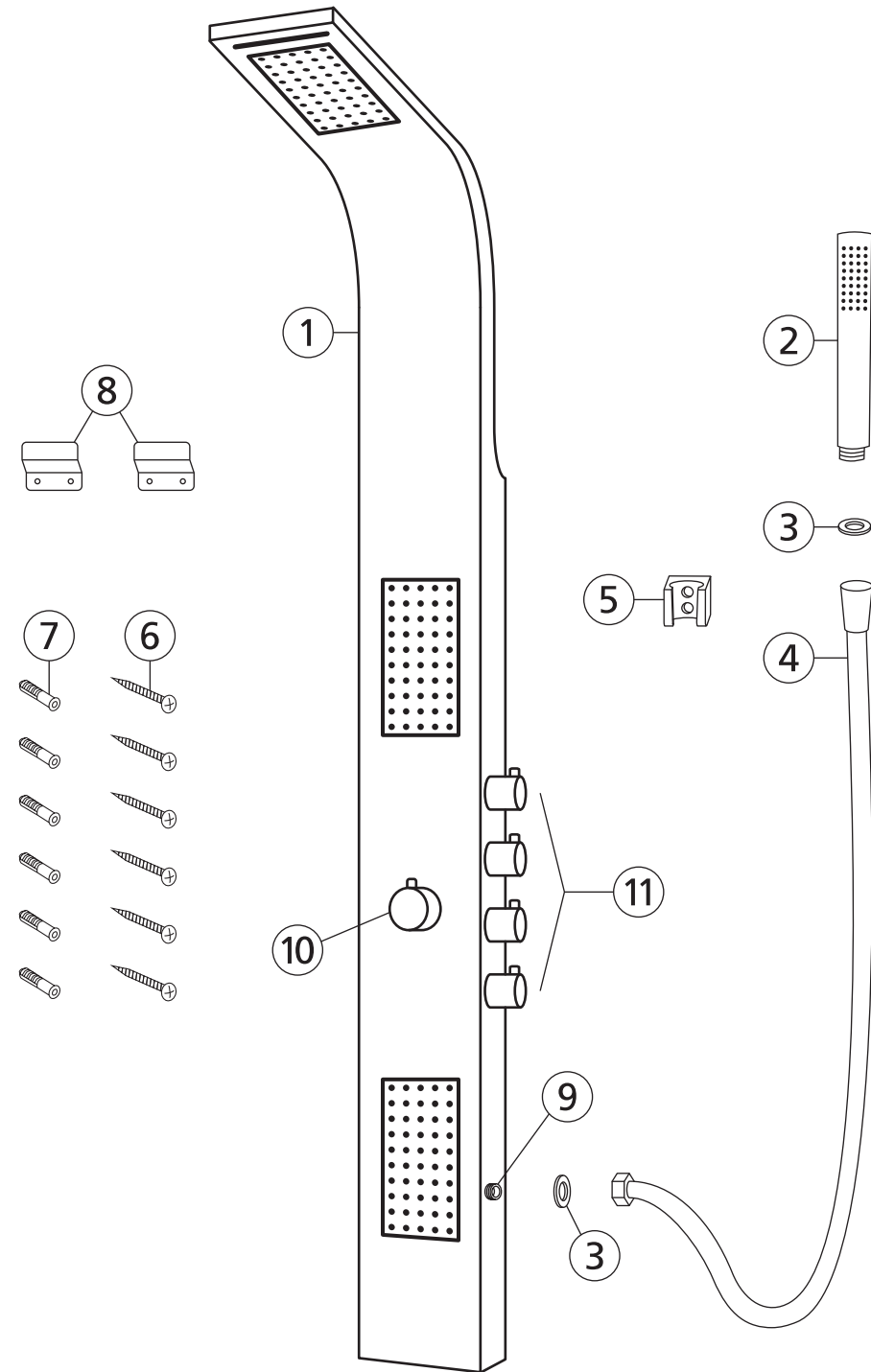
Stub-Out Location

ESTIMATED MOUNTING HEIGHT AND STUB-OUT LOCATION FOR INDIVIDUALS 5'8"–6'2"



Parts Legend

- | | | |
|--|----------------------------|---------------------------|
| 1. ShowerSpa | 4. Handheld Hose | 8. Mount Bracket..... (2) |
| 2. Handheld Shower | 5. Handheld Holder | 9. Handheld Hose Outlet |
| 3. Rubber Washer..... (6)
(3 extra) | 6. Mounting Screw..... (6) | 10. Thermostatic Valve |
| | 7. Nylon Anchor..... (6) | 11. Diverter Knobs |



Assembly

After installing your ShowerSpa, some assembly is required

Handheld Holder Installation

1. Locate the desired mounting location of the handheld holder (6) and mark the holes. For best results, mount the handheld holder on the same side as the handheld hose outlet (9).
2. Drill $\frac{1}{4}$ " holes through wall surface using a masonry bit. Drill slowly through wall surface to avoid cracking and chipping.
3. Make certain the opening in the handheld holder (5) tapers toward the floor when you mount it to the wall. Insert anchors (7) into holes in wall and securely tighten handheld holder to wall with mounting screws (6).

Connect The Handheld Shower

1. Insert washer (3) into hexagon shaped end of handheld hose (4) and attach to threaded outlet on bottom of ShowerSpa. Do not over-tighten.
2. Insert washer (3) into tapered end of handheld hose (4) and attach to handheld shower (2). Insert handheld shower into holder.

Installation—New Construction

Extensive Remodel—New Finished Wall Surface

1. Prior to sheetrock, stub-out $\frac{1}{2}$ " hot and cold supply lines beyond finished wall surface, 3" on center. For best results, attach 90° brass fittings (available at most hardware stores) to the stub-outs maintaining $\frac{1}{4}$ "– $\frac{1}{2}$ " of space between the fitting and finished wall. The open end of the 90° brass fittings should point down so the supply lines attach parallel to the wall.¹
2. The height of the stub-outs is completely dependent upon the desired mounting height of your Santa Cruz ShowerSpa. For a person 5'8"–6'2" we recommend the stub-outs be 38" from finished floor.²
3. Before installation, make certain that water is completely turned off to both hot & cold supply lines of the shower.
4. Mark location of holes for the mounting brackets, making sure holes are plumb. For a person 5'8"–6'2" tall, we recommend placing the holes of the upper bracket at 61" from finished floor height.³ From the upper bracket holes, measure down $31\frac{1}{4}$ " for location of the lower bracket holes.

NOTE—Before drilling holes for the brackets, make certain the ShowerSpa will rest flat against finished wall surface at the desired mounting height with the supply lines connected.

5. Drill $\frac{1}{4}$ " holes through wall surface using a masonry bit. Drill slowly through wall surface to avoid cracking and chipping. Insert anchors and securely screw brackets to wall. Before connecting hot and cold supply lines, hang ShowerSpa on wall, check the height and make sure ShowerSpa is flush against wall with a secure fit.
6. Connect hot and cold water supply lines to stub-outs—**DO NOT OVERTIGHTEN**. Before mounting the ShowerSpa, check fittings to make sure they are secure. Turn on water and check for leaks. When fittings are leak-free, mount ShowerSpa on wall.
7. **OPTIONAL**—Seal around body of ShowerSpa with a bead of silicone. **DO NOT SEAL BOTTOM.**

¹ Additional fittings or longer supply lines may be necessary depending on your specific situation.

² The desired mounting height of ShowerSpa determines height of the $\frac{1}{2}$ " stub-outs. The stub-outs must be located at a height allowing supply lines to be connected and body of ShowerSpa to rest flat against finished wall.

³ The mounting height may vary depending on several factors (i.e. location of supply lines, interference from ShowerSpa plumbing, personal preference, etc.)

Installation—Retrofit

Existing Shower Replacement

NOTE—In a remodel in which you are not replacing the finished wall surface (tile, or backing material) it is advisable to purchase a PULSE ShowerSpa model that covers the location of existing valve assembly—either single handle or two-handle type. If your PULSE ShowerSpa model does not cover this area, you will need to either choose another PULSE ShowerSpa model that does or make necessary repairs with appropriate materials (i.e. wallboard, tile, fiberglass, etc).

1. **TURN OFF WATER SUPPLY TO SHOWER.** Typically there is a gate valve where the water main enters the house. Turning the water valve off at hot water tank does not turn off cold water supply line.
2. Make certain that water is completely turned off to both the hot & cold supply lines of the shower. Turn shower valve on, both hot and cold, to verify water supply is **OFF**. Open a sink faucet in the bathroom in which you are installing the ShowerSpa to relieve any pressure and help adequately drain the shower supply lines.
3. Remove handle(s) and trim cover(s) of your existing valve exposing valve body in wall.
4. Locate hot and cold supply lines entering valve. Using a reciprocating saw with sharp metal saw blade, cut existing valve out, preserving threads of the supply lines entering valve. You should also cut the riser within wall supplying the existing shower head. Carefully twist and remove valve.
5. Unscrew old shower head from shower arm and then unscrew shower arm from the wall.
6. Water lines must be extended outside of wall cavity, 3" on center. For best results, attach 90° brass fittings (available at most hardware stores) to the stub-outs maintaining ¼"–½" of space between the fitting and finished wall. The open end of the 90° brass fittings should point down so the supply lines attach parallel to the wall.⁴
7. Make certain that when you connect to the stub-outs they **DO NOT INTERFERE** with the backside of the ShowerSpa after mounting.⁵
8. Mark location of holes for the mounting brackets, making sure holes are plumb. For a person 5'8"–6'2" tall, we recommend placing the holes of the upper bracket at 61" from finished floor height.³ From the upper bracket holes, measure down 31¼" for location of the lower bracket holes. Before drilling holes for the brackets, make certain the ShowerSpa will rest flat against finished wall surface at the desired mounting height with the supply lines connected.
9. Drill ¼" holes through wall surface using a masonry bit. Drill slowly through wall surface to avoid cracking and chipping. Insert anchors and securely screw brackets to wall. Before connecting hot and cold supply lines, hang the ShowerSpa on wall, check the height and make sure the ShowerSpa is flush against the wall with a secure fit.
10. Connect hot and cold water supply lines to stub-outs—**DO NOT OVERTIGHTEN.** Before mounting the ShowerSpa, check fittings to make sure they are secure. Turn on water and check for leaks. When fittings are leak-free, mount ShowerSpa on wall.
11. **OPTIONAL**—Seal around body of ShowerSpa with a bead of silicone. **DO NOT SEAL BOTTOM.**

⁴ Additional fittings or longer supply lines may be necessary depending on your specific situation.

⁵ The mounting height can vary depending on several factors (i.e. location of supply lines, old valve access area, interference from ShowerSpa plumbing, personal preference, etc).

Usage

Thermostatic Mixing Valve

The Santa Cruz ShowerSpa comes equipped with a thermostatic mixing valve to safely control water temperature. Once you set the knob to the desired operating temperature, the thermostatic mixing valve will regulate the temperature, keeping it constant even when water pressure drops inside the plumbing lines (i.e. someone flushes a toilet, etc.).

The button on the knob points to the current water temperature. Rotate the knob counter-clockwise to increase temperature or clockwise to decrease temperature. Anti-scald technology is provided by limiting temperature to 38°C/100°F unless the button on the knob is pressed. To increase the temperature beyond 38°C/100°F, press the button and continue turning counter-clockwise. Each time you revisit your ShowerSpa, allow the water to reach operating temperature before entering the shower.

Brass Diverter

The Santa Cruz Showerspa offers independent control of each function. Water pressure can be directed to a single function or split between the different functions via the four diverter knobs (located on the side of the ShowerSpa).

The four functions are rain shower head, waterfall shower head, handheld shower and body jets. To turn a function on, rotate the knob towards you 90° and enjoy. To turn the ShowerSpa off, rotate all diverters so the knobs are pointing up and leave the thermostatic mixing valve at the desired temperature.

Care and Maintenance

Always blot dry any water from the surface of your ShowerSpa. To help protect your ShowerSpa from hard water stains and mineral deposits, use an auto spray wax periodically and wipe down your ShowerSpa after each use. Allowing water to evaporate on the surface can lead to a buildup of mineral deposits. Cleaning with a damp, nonabrasive sponge and drying with a clean soft cloth should help keep your ShowerSpa looking beautiful.

R E M E M B E R

NEVER use any abrasives or harsh cleaners!

Clean with mild soap and water ONLY!

*To keep your ShowerSpa in pristine condition,
DRY AFTER EACH USE!*

Manufacturer's Limited Warranty

PULSE Shower Spas, Inc. warrants that all ShowerSpas are free from defect in workmanship and/or materials for a period of three years from the date of purchase. This warranty extends to the original purchaser only and is non-transferable.

This warranty does not cover, and PULSE ShowerSpas will not pay for any conditions, malfunctions or damages resulting from (1) normal wear and tear, improper installation (whether performed by a contractor, a service company or the consumer), improper maintenance, misuse, abuse, negligence, accident or alteration; (2) the use of abrasive, caustic or "no-rinse" cleaning agents; (3) the use of the product in any manner contrary to the product instruction; (4) any condition in the home such as excessive water pressure or corrosion.

Should any ShowerSpa be determined by PULSE ShowerSpas, Inc. to be defective in normal residential use, at the option of PULSE ShowerSpas, Inc., such product shall either be replaced or repaired and returned to the customer free of defects. The consumer shall give notice of any defects to PULSE ShowerSpas, Inc. within thirty days of discovery of such defect.

Proof of purchase (original sales receipt) must be provided to PULSE Shower Spas, Inc. with all warranty claims. PULSE ShowerSpas, Inc. is not responsible for any labor charges, removal charges, installation or other consequential costs. In no event shall the liability of PULSE ShowerSpas, Inc. exceed the purchase price of the ShowerSpa.

Some states/provinces do not allow limitations of how long an implied warranty lasts or the exclusion or limitation of such damages, so these limitations and exclusions may not apply to you. This warranty gives the consumer specific legal rights. You may also have other rights that vary by state/province.

Follow manufacturers recommended installation. Use caution with children under ten years of age. Do not use ShowerSpa as a support device. Do not use harsh chemicals or abrasives when cleaning. Turn water supply off when servicing your ShowerSpa.



PULSE
SHOWERSPAS

Pulse ShowerSpas, Inc. ~ 49 Hangar Way Suite A ~ Watsonville, CA 95076 ~ 888.785.7320
info@pulseshower spas.com ~ www.pulseshower spas.com ~ support@pulseshower spas.com